

Barudan

HIGH SPEED AUTOMATIC EMBROIDERY MACHINE

MODEL **BEMYHE-YN**

PARTS LIST (YN-II)

BARUDAN CO., LTD.

ADDRESS 906 JOSUJI
ICHINOMIYA-CITY·AICHI-PREF·
JAPAN

TEL. <0586>76-1137
FAX. <0586>77-1499
TELEX 4573268 BARUNA J
CABLE BARUNA ICHINOMIYA

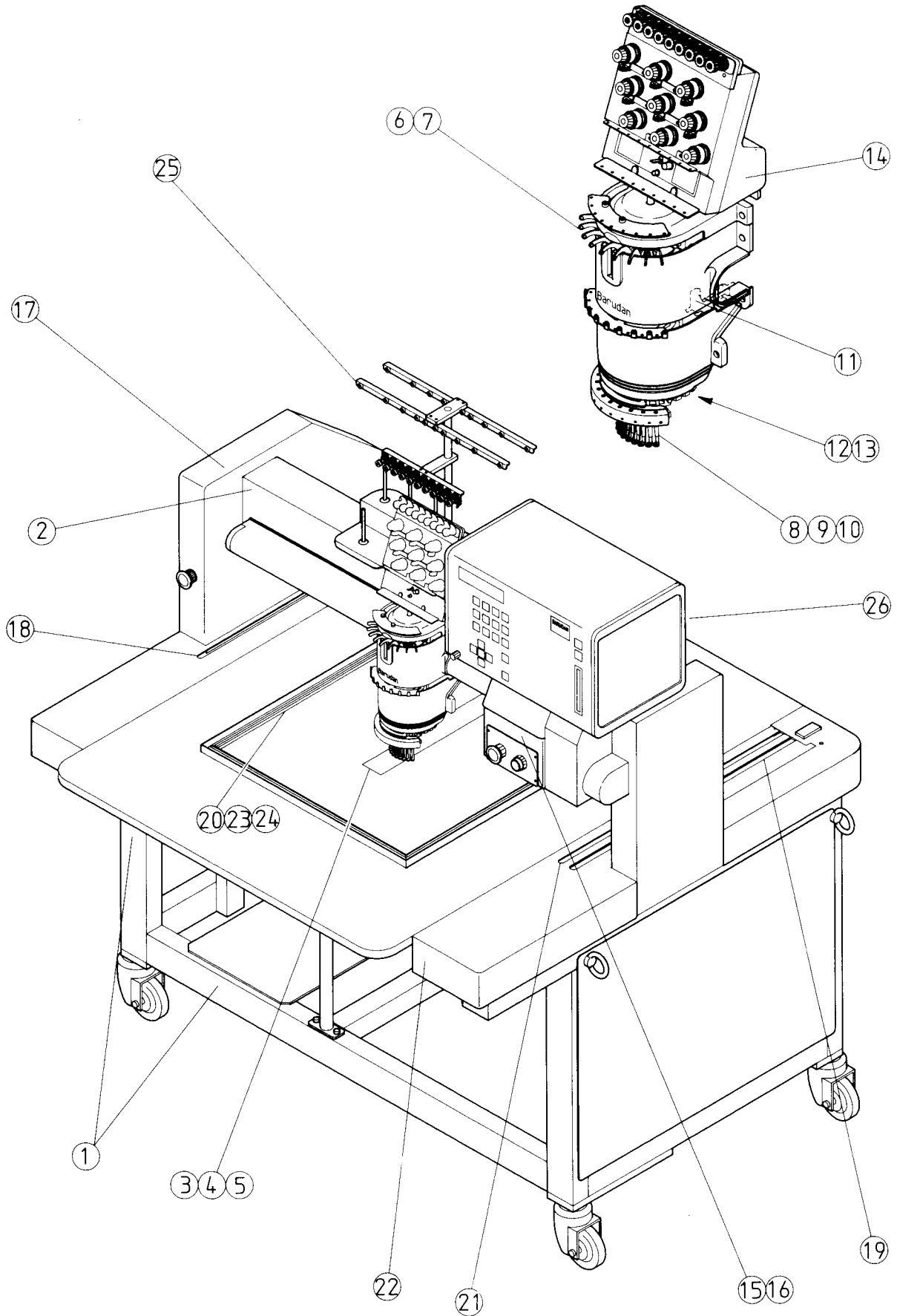
HIGH SPEED AUTOMATIC EMBROIDERY

B E M Y H E - Y N

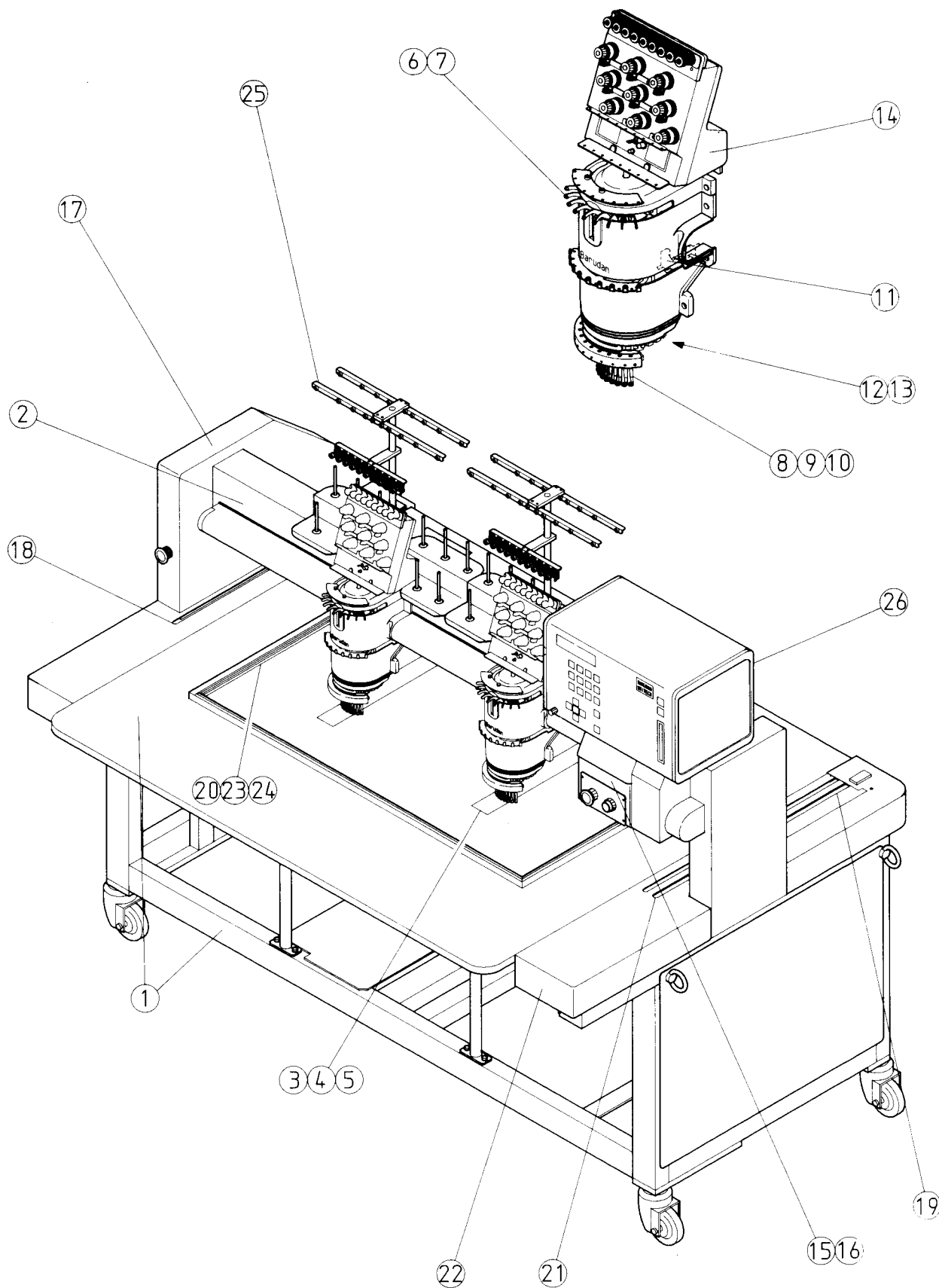
PARTS LIST

C O N T E N T S

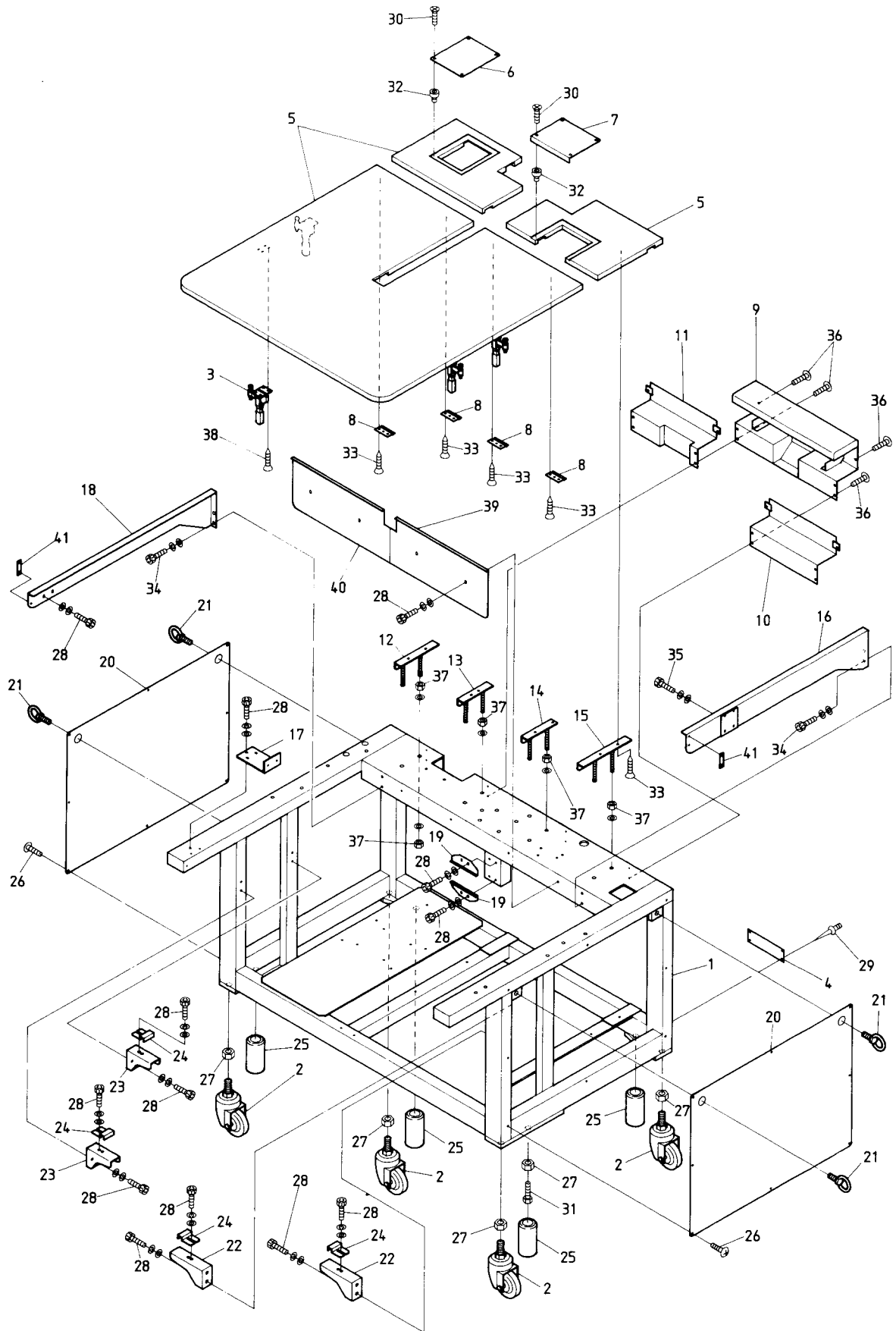
ITEM No.	Page	No.
Machine layout (BEMYHE-YN)	1	
① Table • Frame	3	
② Bridge	7	
③ Bed a' ssy	11	
④ Under thread cutting mechanism	13	
⑤ Under thread cutting drive mechanism	15	
⑥ Take up lever a' ssy I	17	
⑦ Take up lever a' ssy II	19	
⑧ Needle bar mechanism I	21	
⑨ Needle bar mechanism II	23	
⑩ Needle bar mechanism III	25	
⑪ Junp a' ssy	27	
⑫ Upper thread cutting mechanism I	29	
⑬ Upper thread cutting mechanism II	31	
⑭ Thread guide mechanism	33	
⑮ Color change mechanism I	35	
⑯ Color change mechanism II	37	
⑰ Driving mechanism	39	
⑱ Pantograph driving mechanism II (H-Direction①)	41	
⑲ Pantograph driving mechanism III (H-Direction②)	43	
⑳ Pantograph driving mechanism IV (V-Direction①)	45	
㉑ Pantograph driving mechanism V (V-Direction②)	47	
㉒ Pantograph driving mechanism VI (H-Cover relation)	49	
㉓ Pantograph relation ①	51	
㉔ Pantograph relation ②	53	
㉕ Thread stand relation	55	
㉖ Control system	57	
INDEX	59	



From the library of: Diamond Needle Corp



From the library of: Diamond Needle Corp



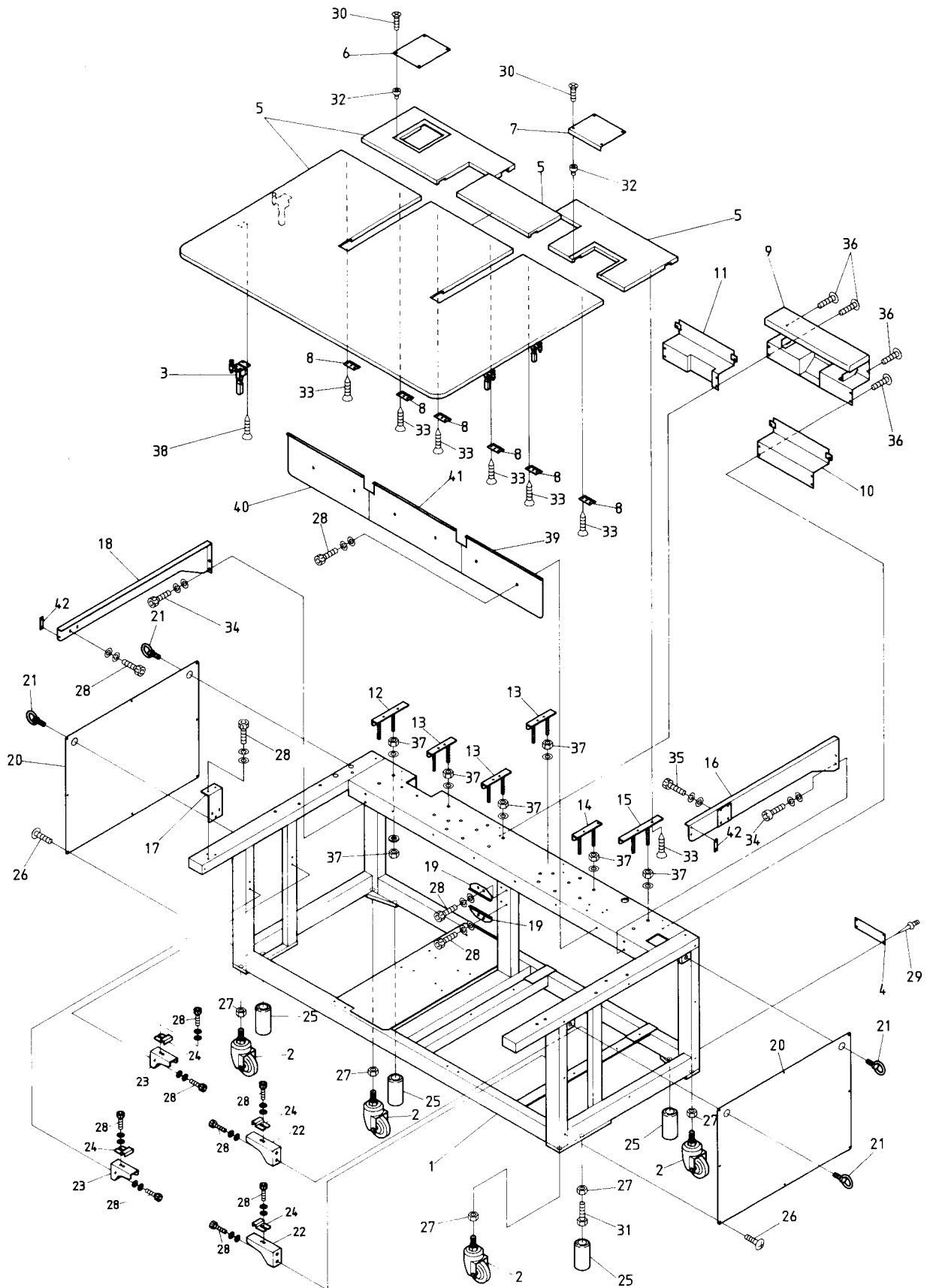
From the library of: Diamond Needle Corp

① Table • Frame <BEMYHE-YN-1T>

ITEM	LIST No.	DESCRIPTION	Q'TY	REMARK
1	HM160000	Frame	1	
2	A9019005	Caster 420SA-UB 100mm	4	
3	A9013059	Toggle clamp No. 40A (With rubber and bolt)	4	
4	HT790310	Barudan name plate	1	
5	HM120000	Table	1	
6	HM120010	Cover	1	
7	HM120020	Cover	1	
8	HM140120	Table support (Front)	4	
9	HM480330	H-Pulse motor cover	1	
10	HM140270	Rear cover (R)	1	
11	HM140280	Rear cover (L)	1	
12	HM140000	Table support (1)	1	
13	HM140010	Table support (2)	1	
14	HM140020	Table support (3)	1	
15	HM140030	Table support (4)	1	
16	HM140080	Table support (R)	1	
17	HM140170	Table support	1	
18	HM140090	Table support (L)	1	
19	HM140060	Table support (F, Lower)	2	
20	HM160020	Side cover	2	
21	A9012230	Eye bolt M16	4	
22	HM140040	Table support (Under-Side, R)	2	
23	HM140050	Table support (Under-Side, L)	2	
24	HM140100	Table side support	4	
25	HM160010	Mount	4	
26		Truss screw M6×12	16	
27		Hex, nut M20	8	
28		Hex, socket bolt M6×15	29	
29		Rivet	4	
30		Flush screw (Under cut) M4×8	8	
31		Hex, bolt M20×50	4	
32		Nut (C) M4	8	
33		Piass biss 5×19	20	
34		Hex, socket bolt M8×15	4	
35		Hex, socket bolt M4×15	4	
36		Truss screw M4×6	12	
37		Hex, nut M10	16	
38		Piass biss 5×19	16	
39	HM140310	Oilles pillow (R)	1	
40	HM140320	Oilles pillow (L)	1	
41	HM480340	Plate nut	2	

Barudan

① Table • Frame <BEMYHE-YN-2T>

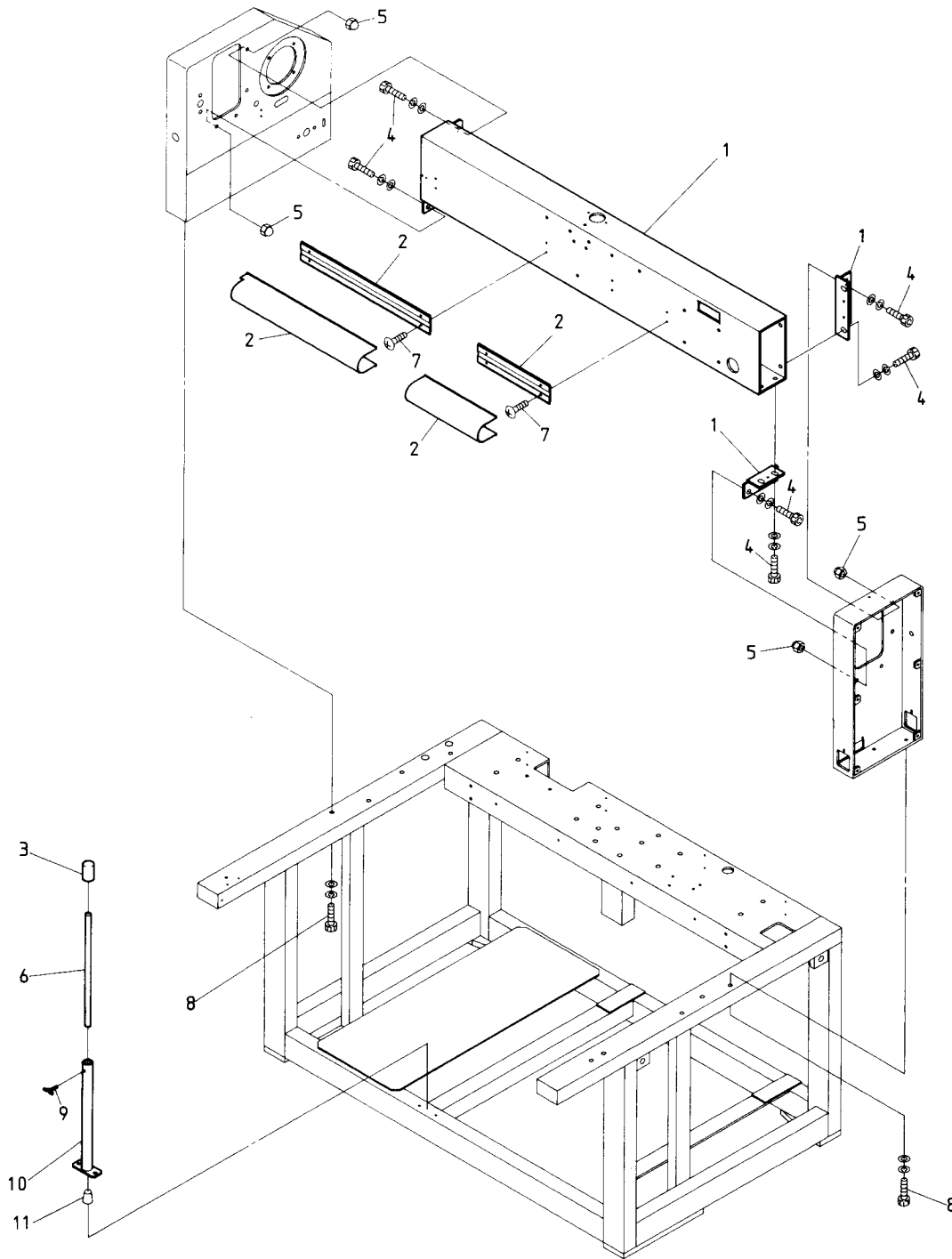


From the library of: Diamond Needle Corp

MODEL BEMYHE-YN

① Table · Frame <BEMYHE-YN-2T>

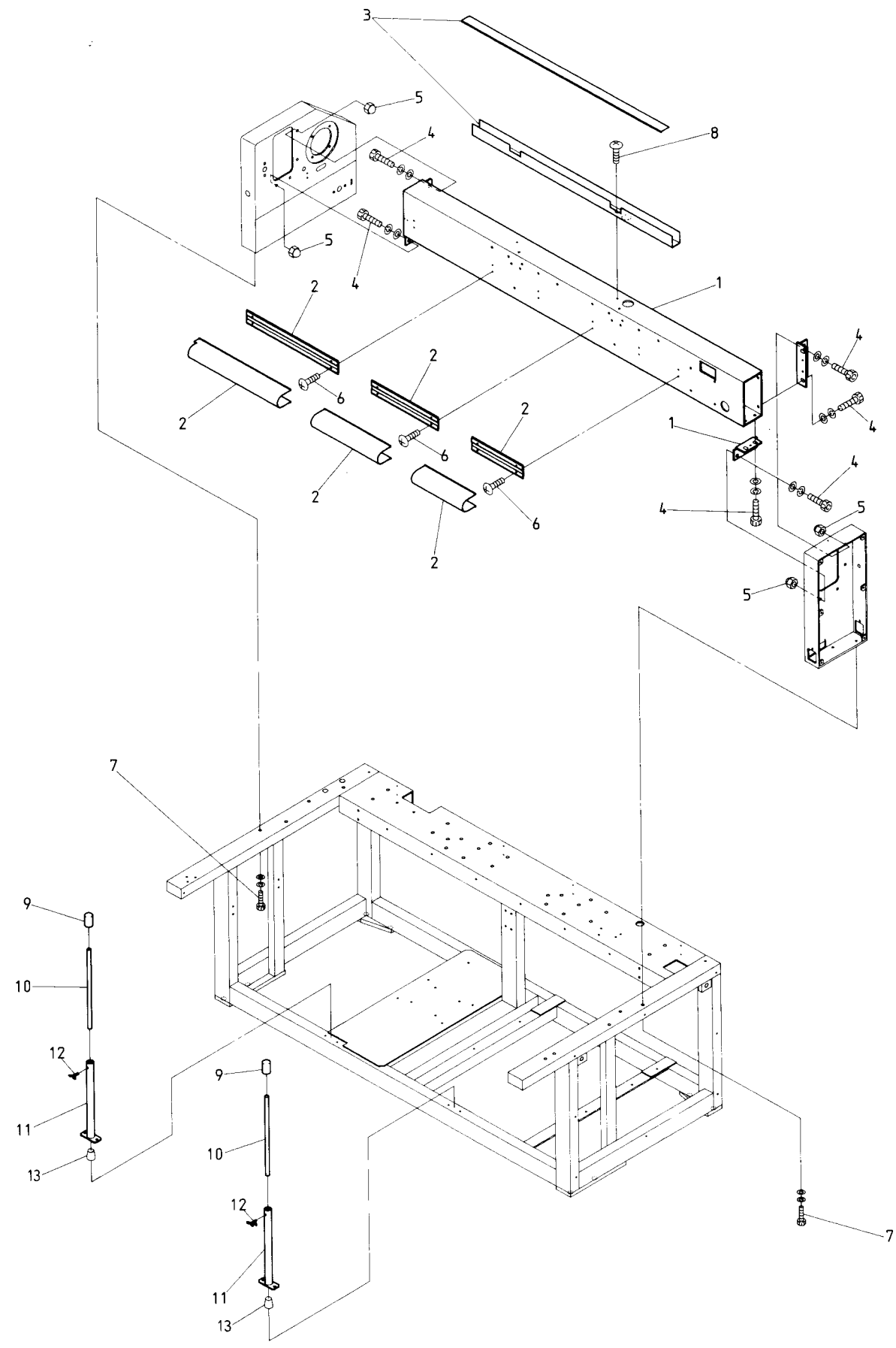
ITEM	LIST No.	DESCRIPTION		Q'TY	REMARK
1	HM160010	Frame		1	
2	A9019005	Caster 420SA-UB 100mm		4	
3	A9013059	Toggle clamp No. 40A (With rubber and bolt)		4	
4	HT790310	Barudan name plate		1	
5	HM120100	Table		1	
6	HM120010	Cover		1	
7	HM120020	Cover		1	
8	HM140120	Table support (Front)		6	
9	HM480330	H-Pulse motor cover		1	
10	HM140270	Rear cover (R)		1	
11	HM140280	Rear cover (L)		1	
12	HM140000	Table support (1)		1	
13	HM140010	Table support (2)		3	
14	HM140020	Table support (3)		1	
15	HM140030	Table support (4)		1	
16	HM140080	Table support (R)		1	
17	HM140170	Table support		1	
18	HM140090	Table support (L)		1	
19	HM140060	Table support (F, Lower)		2	
20	HM160020	Side cover		2	
21	A9012230	Eye bolt M16		4	
22	HM140040	Table support (Under-Side, R)		2	
23	HM140050	Table support (Under-Side, L)		2	
24	HM140100	Table side support		4	
25	HM160010	Mount		4	
26		Truss screw	M6×12	16	
27		Hex, nut	M20	8	
28		Hex, socket bolt	M6×15	29	
29		Rivet		4	
30		Flush screw (Under cut)	M4×8	8	
31		Hex, bolt	M20×50	4	
32		Nut (C)	M4	8	
33		Piass biss	5×19	30	
34		Hex, socket bolt	M8×15	4	
35		Hex, socket bolt	M4×15	4	
36		Truss screw	M4×6	12	
37		Hex, nut	M10	24	
38		Piass biss	5×19	16	
39	HM140310	Oilles pillow (R)		1	
40	HM140320	Oilles pillow (L)		1	
41	HM140330	Oilles pillow (C)		1	
42	HM480340	Plate nut		2	



From the library of: Diamond Needle Corp

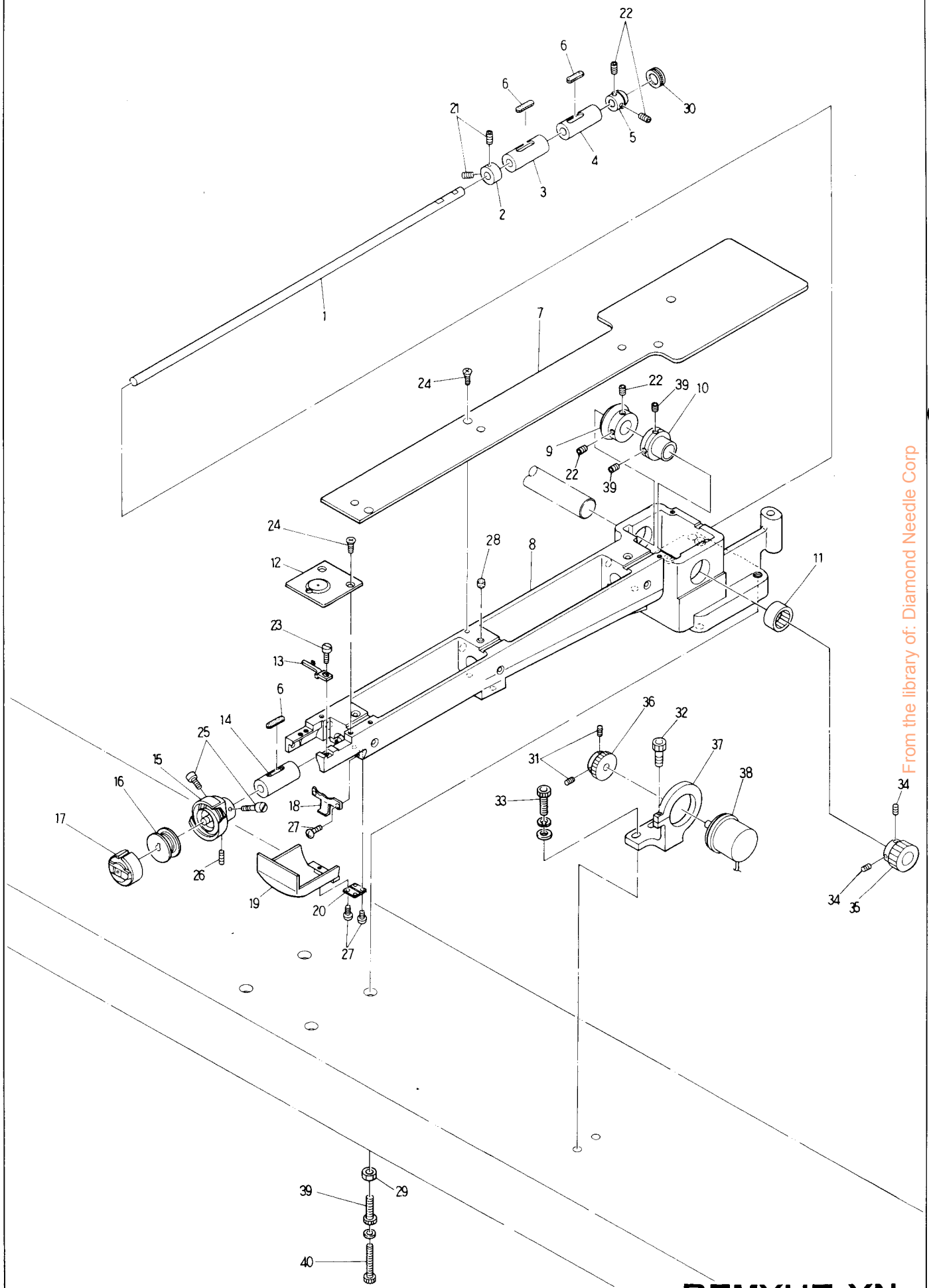
Barudan

② Bridge <BEMYHE-YN-2T>



From the library of: Diamond Needle Corp

MODEL BEMYHE-YN



From the library of: Diamond Needle Corp

③ Bed a' ssy

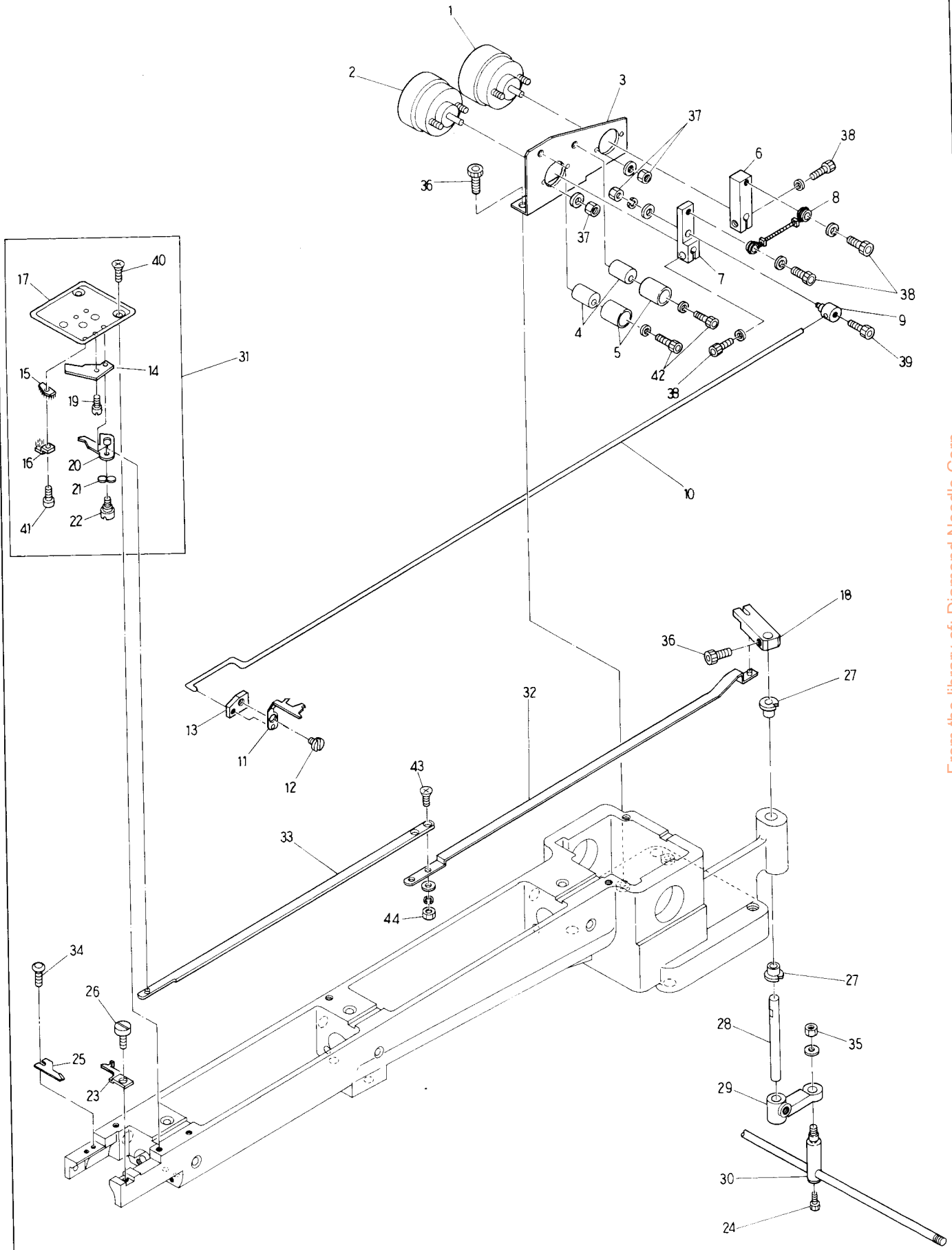
(H=Head Q' TY)

ITEM	LIST No	DESCRIPTION	Q' TY	REMARK
1	HS 2 1 0 0 2 0	Lower shaft	H × 1	
2	KF 2 2 0 2 9 0	Lower shaft collar	H × 1	
3	KF 2 2 0 2 3 0	Lower shaft metal (Front)	H × 1	
4	KF 2 2 0 2 2 0	Lower shaft metal (Rear)	H × 1	
5	HP 2 2 0 7 1 2	Lower shaft gear (S)	H × 1	
6	KL 2 2 0 1 4 0	Oil felt C (5×25×20)	H × 3	
7	HS 2 1 0 0 4 1	Bed cover	H × 1	
8	HS 2 1 0 0 1 1	Barrel bed	H × 1	
9	HP 3 2 1 0 8 2	Lower connecting gear (L)	H × 1	
10	HP 3 2 1 0 9 0	Lower shaft collar	H × 1	
11	A 9 0 1 1 1 1 1	Needle bearing (TLA-2012Z)	H × 1	
12	MA 2 5 0 1 3 1	Throat plate	H × 1	
13	KC 2 2 0 6 4 2	Rotating hook bobbin case holder position bracket	H × 1	
14	KF 2 2 0 2 4 0	Vertical shaft metal (Upper)	H × 1	
15	HB 2 2 0 0 1 0	Rotating hook HSM-A(M2QTS)	H × 1	
16	KF 2 2 0 4 2 1	Bobbin HSM(DBM)	H × 1	
17	KF 2 2 0 3 0 2	Bobbin case BC-DBM (Z2)-NBL5	H × 1	
18	KC 2 5 0 4 8 2	Barrel bed cover push spring	H × 1	
19	HS 2 1 0 0 3 0	Barrel bed cover	H × 1	
20	A 9 0 1 2 0 2 7	Butterfly nut (TH-TM-72)	H × 1	
21		Hex, socket set screw SM1/4 40×4		
22		Hex, socket set screw M5×6		
23	A 9 0 1 2 0 0 7	Screw (SM11/64 40×10) Cylinder	H × 1	
24	KF 2 5 0 9 0 0	Throat set screw (SM11/64 40×7)	H × 6	
25		Screw (SM11/64 40×5)		
26		Screw (SM11/64 40×4)		
27		Pan screw M3×6		
28	KL 2 2 0 1 2 0	Oil felt A	H × 3	
29		Hex, nut M16		
30	A 9 0 1 4 0 5 9	Grommet MG (MG-1)	H × 1	
31		Hex, socket set screw M4×8		
32		Hex, socket set screw M4×18		
33		Hex, socket bolt M5×18		
34		Hex, socket set screw M5×6		
35	HP 3 2 1 7 1 0	Encoder driving gear No.1	1	
36	HP 3 2 1 7 2 0	Encoder driving gear No.2	1	
37	HP 3 3 1 9 2 2	Encoder support	1	
38	KN 5 1 1 0 2 0	Position corder (for machine 051)	1	
39		Hex, socket bolt M16×30		
40		Hex, socket bolt M8×65		

From the library of: Diamond Needle Corp

Barudan

④ Under thread cutting mechanism

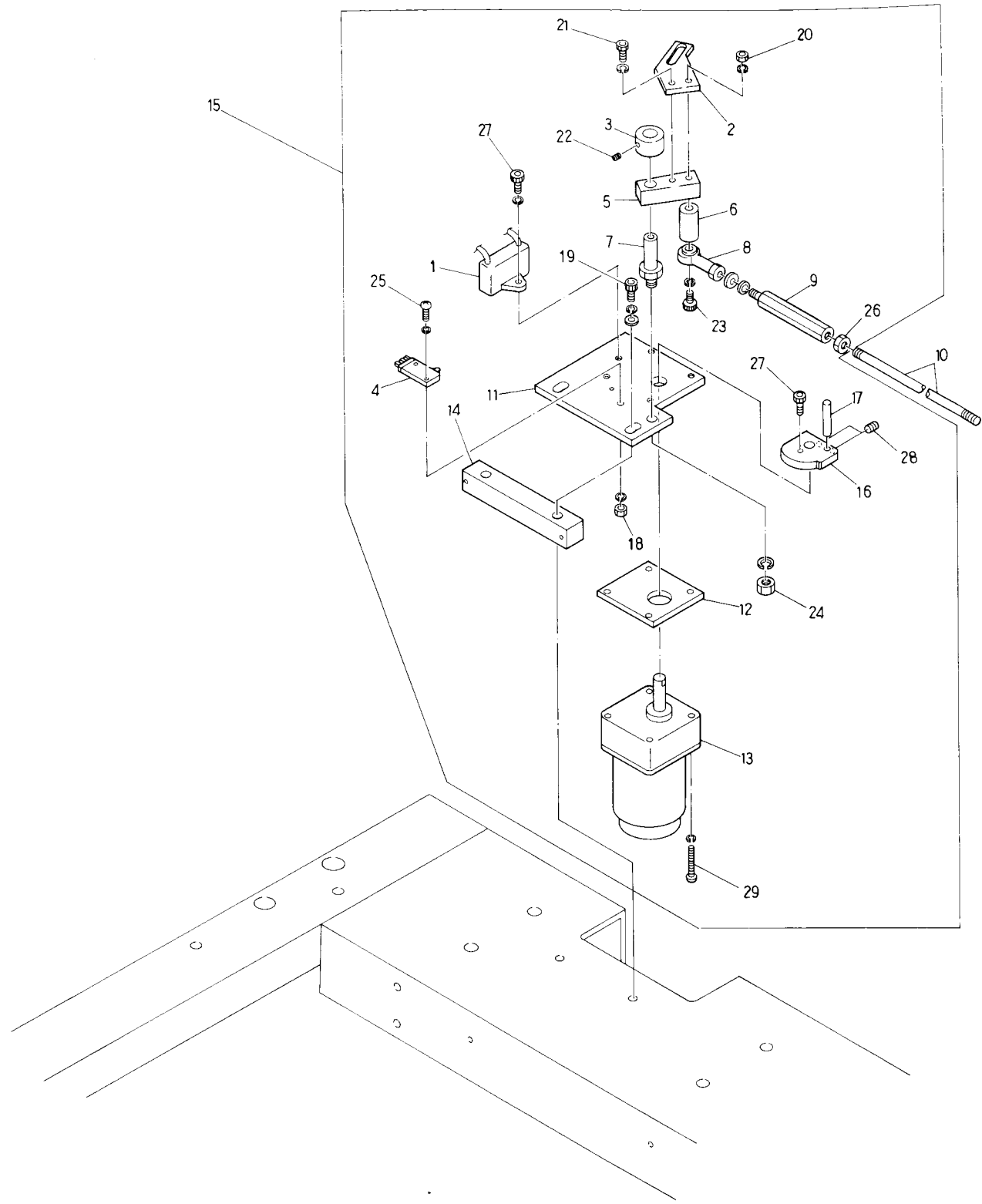


From the library of: Diamond Needle Corp

④ Under thread cutting mechanism

(H=Head Q'TY)

ITEM	LIST No.	DESCRIPTION	Q'TY	REMARK
1	A 9 0 5 6 0 1 2	Rotary solenoid (3EL25 33×3×8×9)	H×1	
2	A 9 0 5 6 0 0 8	Rotary solenoid (3EL25 35×3×8×9)	H×1	
3	HS 2 1 0 0 6 0	Solenoid stay	H×1	
4	KN 2 7 1 6 5 1	Eccentric stopper	H×2	
5	KN 2 7 1 6 6 1	Eccentric cover	H×2	
6	KC 2 7 1 9 5 0	Solenoid lever B	H×1	
7	KC 2 7 1 9 4 0	Solenoid lever A	H×1	
8	KL 2 7 0 3 6 0	Driving rope	H×1	
9	HS 2 1 0 0 8 0	Connecting clamp	H×1	
10	HS 2 1 0 0 7 0	Hook driving rod	H×1	
11	HS 2 1 0 1 4 2	Hook	H×1	
12	KC 2 7 1 0 0 1	Upper knife turning shaft	H×1	
13	HS 2 1 0 0 5 0	Stay	H×1	
14	KC 2 7 0 9 6 0	Fixed knife	H×1	
15	KN 2 7 1 2 2 0	Lower thread support stay (Upper) CMP	H×1	
16	KN 2 7 1 1 9 0	Lower thread support stay (Lower) CMP	H×1	
17	KL 2 7 0 3 8 0	Throat plate	H×1	
18	HS 2 1 0 1 0 0	Lower knife driving lever (Upper)	H×1	
19	KC 2 7 0 9 8 0	Set screw (Fixing knife)	H×1	
20	KC 2 7 0 9 5 0	Lower knife	H×1	
21	A 9 0 1 3 0 4 5	Wave washer (WW5)	H×1	
22	KC 2 7 0 9 7 0	Lower knife turning shaft	H×1	
23	KC 2 2 0 6 4 2	Rotating hook bobin case holder position bracket	H×1	
24		Hex, socket bolt M4×8		
25	KB 2 7 0 0 1 0	Upper knife	H×1	
26	A 9 0 1 2 0 0 7	Screw (SM11/64 40×10) Cylinder	H×1	
27	A 9 0 1 1 1 7 3	DU bush (MB0606-12FDD)	H×2	
28	HS 2 1 0 0 9 0	Knife lever turning shaft	H×1	
29	KN 2 7 1 5 6 0	Knife lever	H×1	
30	MT 2 7 2 5 0 0	Connecting bar clamp	H×1	
31	KL 2 7 0 3 9 0	Throat plate a'ssy	H×1	
32	HS 2 1 0 1 2 0	Lower knife driving rod B	H×1	
33	HS 2 1 0 1 1 0	Lower knife driving rod A	H×1	
34		Hex, socket button bolt M3×6		
35		Hex, nut M4		
36		Hex, socket bolt M4×8		
37		Hex, nut M3		
38		Hex, socket bolt M4×10		
39		Hex, socket bolt M3×5		
40		Flush screw M3×3		
41		Pan screw M3×3		
42		Hex, socket bolt M4×18		
43	HB 2 3 0 6 5 0	Flush screw (With adhesion)	H×1	
44		Hex, nut M3		



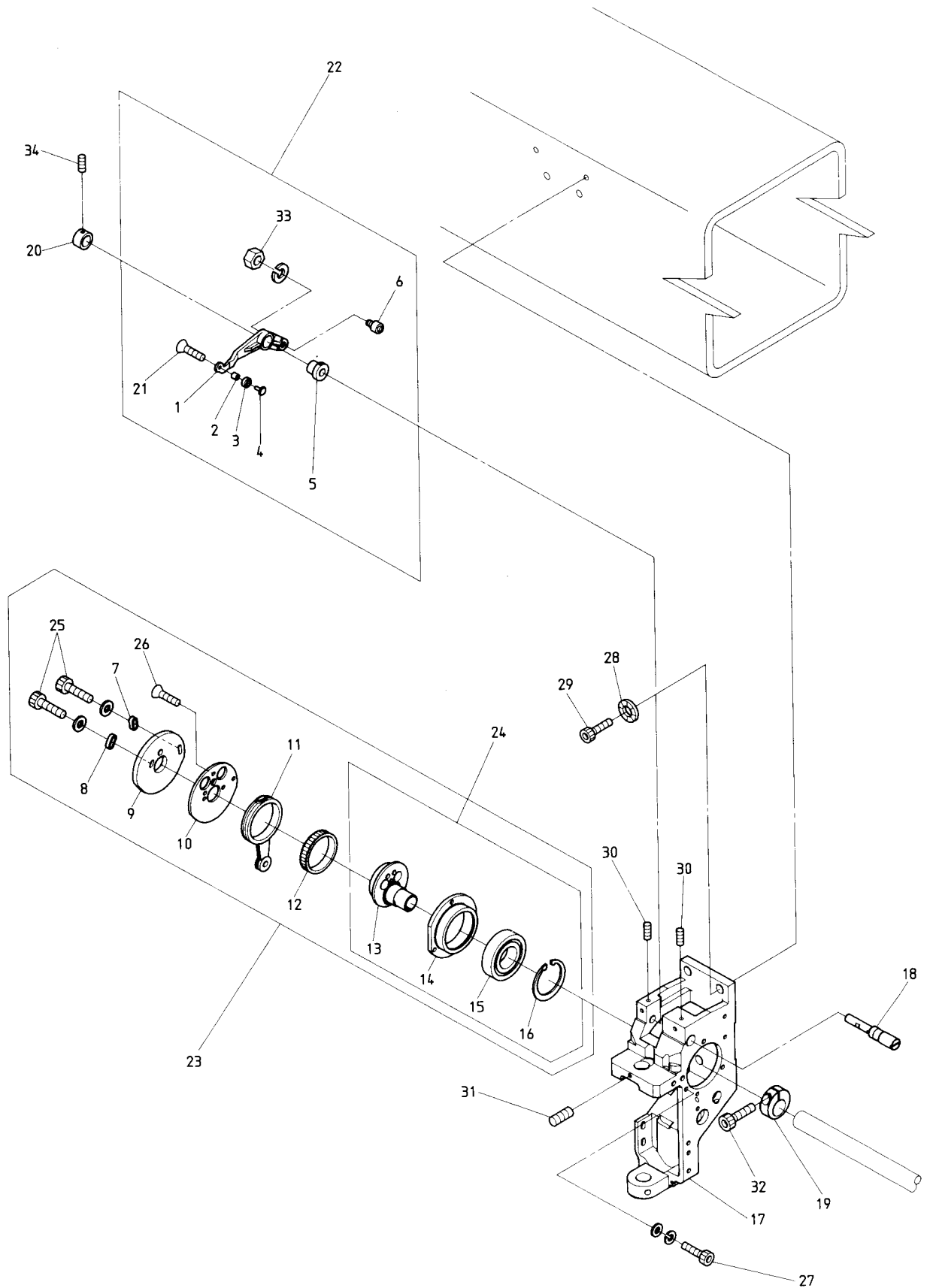
From the library of: Diamond Needle Corp

⑤ Under thread cutting drive mechanism

ITEM	LIST No	DESCRIPTION	Q'TY	REMARK
1	A 9 0 5 4 0 4 0	Condenser 6uF-200V	1	
2	HS 2 7 0 0 3 0	Motor cam lever	1	
3	KC 3 3 0 1 8 0	Collar ϕ 10	1	
4	A 9 0 5 2 0 0 5	Micro switch (V-01GL2255)	1	
5	KN 2 7 1 7 8 1	Driving lever	1	
6	HM 2 7 0 0 1 0	Motor lever collar	1	
7	KN 2 7 1 7 5 0	Motor lever turret shaft	1	
8	A 9 0 1 2 0 0 2	Uniball joint (PR-6)	1	
9	KC 3 3 0 5 1 0	Hex, connecting bar	1	
10	KC 3 3 0 4 1 0	Lock connecting rod (2M)	2	
11	HS 2 7 0 0 1 1	Motor bracket	1	
12	KC 2 7 1 4 3 0	Motor spacer	1	
13	A 9 0 6 5 0 2 8	Reversible motor (RM-F7A12PEAA)(7RH-D30)	1	
14	HS 2 7 0 0 2 0	Motor bracket spacer	1	
15	ZHS 2 7 0 0 1 0 A	Thread cutter driving a'ssy HSH-YN	1	
16	HS 2 7 0 0 6 0	Driving com	1	
17	KN 2 7 2 3 5 0	Driving pin	1	
18		Hex, nut M3		
19		Hex, socket bolt M8 \times 30		
20		Hex, nut M6		
21		Hex, socket bolt M6 \times 12		
22		Hex, socket set screw M5 \times 6		
23		Hex, socket bolt M6 \times 55		
24		Hex, nut M8		
25		Truss screw M3 \times 15, M3 \times 20		
26		Hex, nut M5		
27		Hex, socket bolt M4 \times 10		
28		Hex, socket set screw M5 \times 8		
29		Pan screw M5 \times 65		
	A 9 0 5 3 0 6 7	Thread cutter motor cable 0.75 \times 6 \times 2M	1	
	A 9 0 5 3 0 6 8	Thread cutter solenoid cable	1	

Barudan

⑥ Take up lever a'ssy I



From the library of: Diamond Needle Corp

⑥ Take up lever a'ssy I

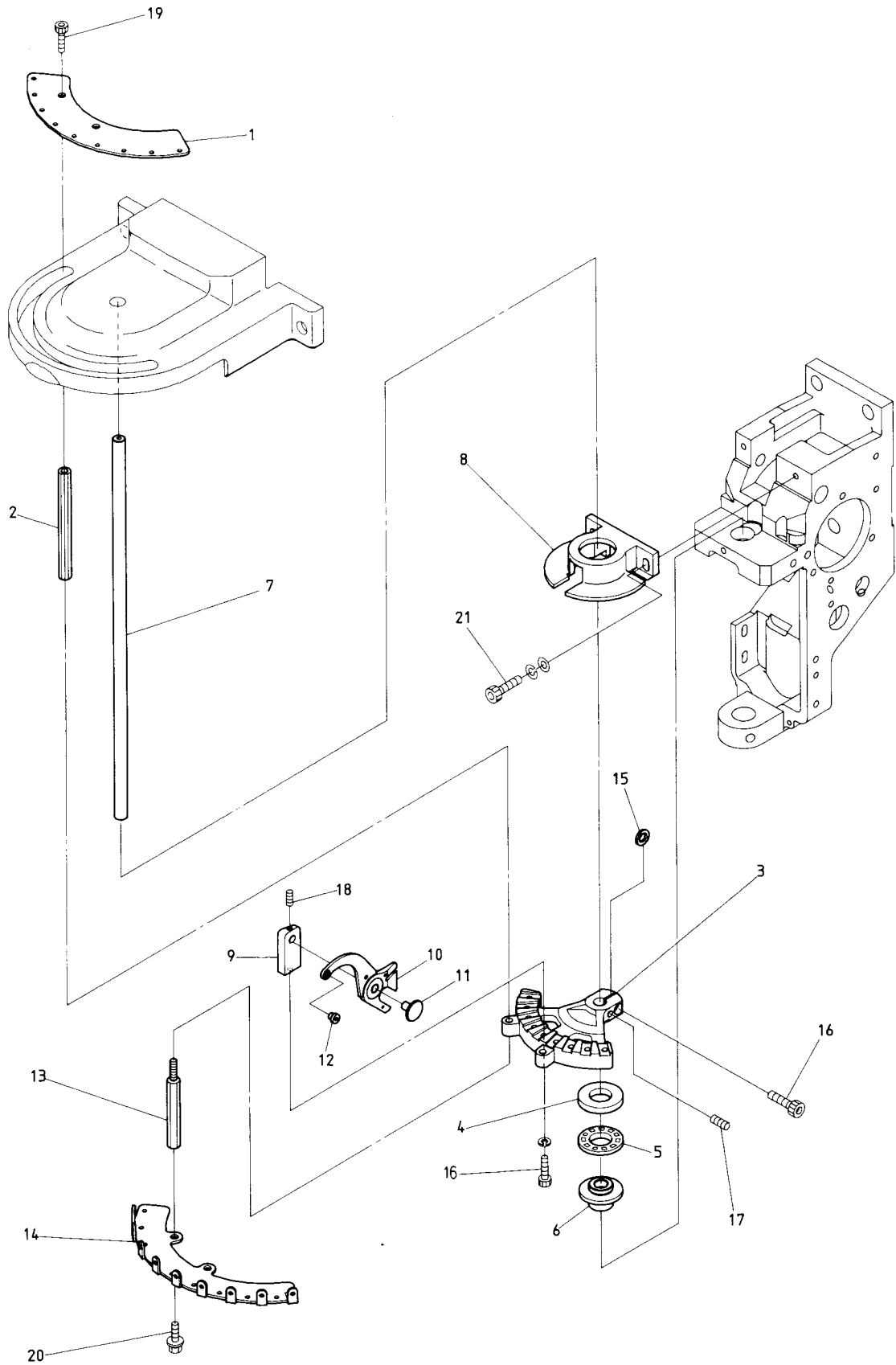
(H=Head Q'TY)

ITEM	LIST No	DESCRIPTION	Q'TY	REMARK
1	HT230010	Take up lever driving lever	H×1	
2	HB230330-2	Take up lever driving roller bush	H×1	
3	HB230320	Take up lever driving roller	H×1	
4	HB230330-1	Take up lever driving roller shaft	H×1	
5	HB230111	Take up lever driving lever metal	H×1	
6	KF230500	Take up lever roller a'ssy	H×1	
7	HB230080	Washer for cam (2)	H×1	
8	HB230070	Washer for cam (1)	H×1	
9	HB230062	Take up lever cam H6	H×1	For small bobbin
	HB230493	Take up lever cam JIB	H×1	For middle bobbin
10	HB230051	Take up lever cam base	H×1	
11	HB230020	Needle bar crank rod	H×1	
12	HB230341	Needle roller (HL-8Q-K38×41×8.8)	H×1	
13	HB230011	Needle bar driving cam (Eccentric 9.2)	H×1	
14	HB230030	Bearing case	H×1	
15	A9010017	Ball Bearing case (6004ZZ)	H×1	
16	A9012163	C-Ring φ42	H×1	
17	HT230580	Arm	H×1	
18	HT230660	Take up lever driving lever fixed pin	H×1	
19	HB230040	Needle bar driving cam set collar	H×1	
20	HB230800	Take up lever driving lever fixed pin set collar	H×1	
21	HB230650	Flush screw (With adhesion)	H×1	
22	HT230210	Take up lever driving lever a'ssy	H×1	
23	HB230681	Take up lever · Needle bar drive a'ssy (small bobbin)	H×1	
	HB230691	Take up lever · Needle bar drive a'ssy (middle bobbin)	H×1	
24	HB230710	Take up lever driving cam a'ssy	H×1	
25		Hex, socket bolt M4×8		
26		Flush screw	H×3	
27		Hex, socket bolt M4×15		
28		Disk spring 8		
29		Hex, socket bolt M8×25		
30		Hex, socket set screw M5×10		
31		Hex, socket set screw M4×8		
32		Hex, socket bolt M5×18		
33		Hex, nut 7/32		
34		Hex, socket set screw M4×4 (With adhesion)	H×1	

From the library of: Diamond Needle Corp

Barudan

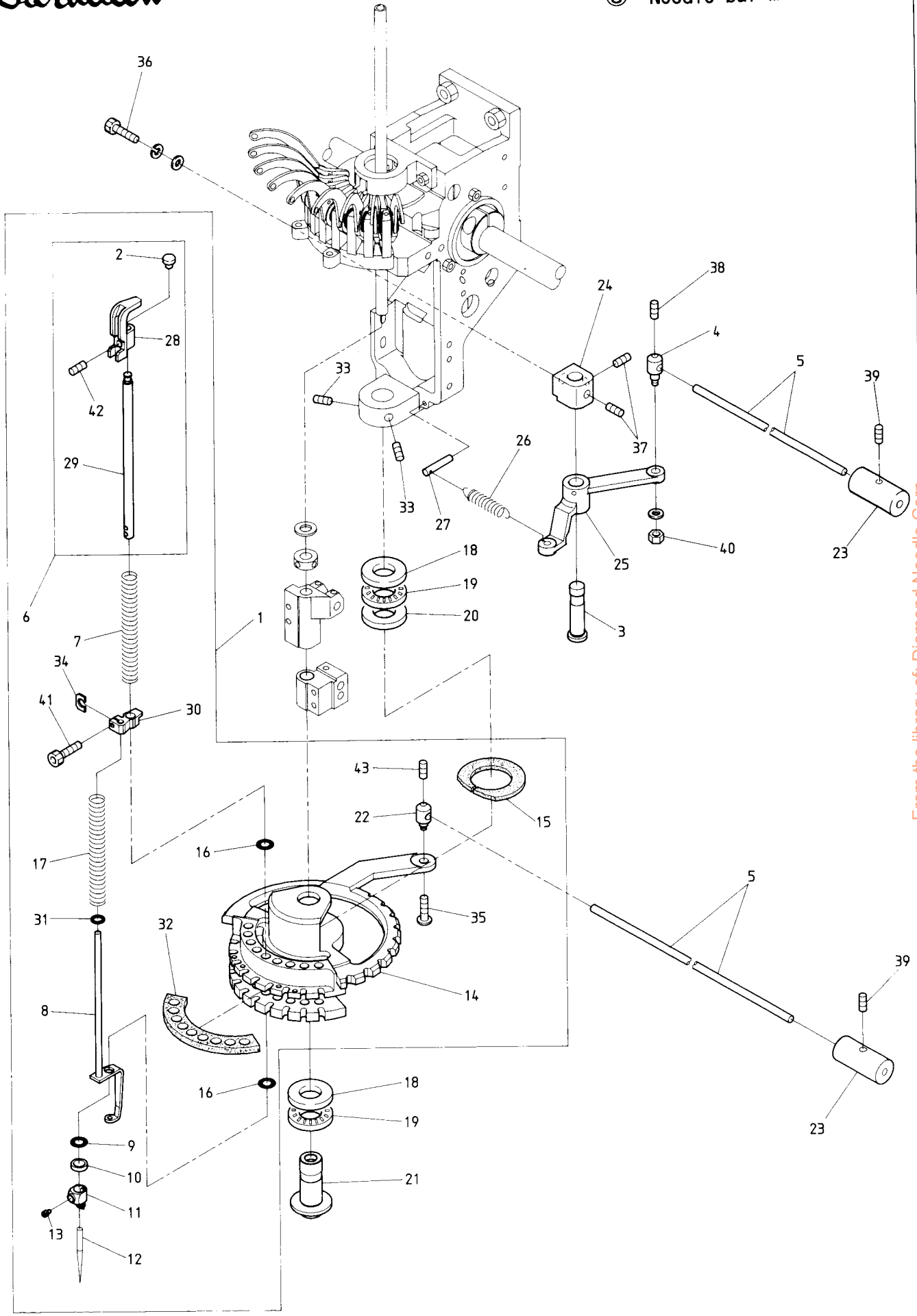
⑦ Take up lever a'ssy II



From the library of: Diamond Needle Corp

Barudan

⑧ Needle bar mechanism I



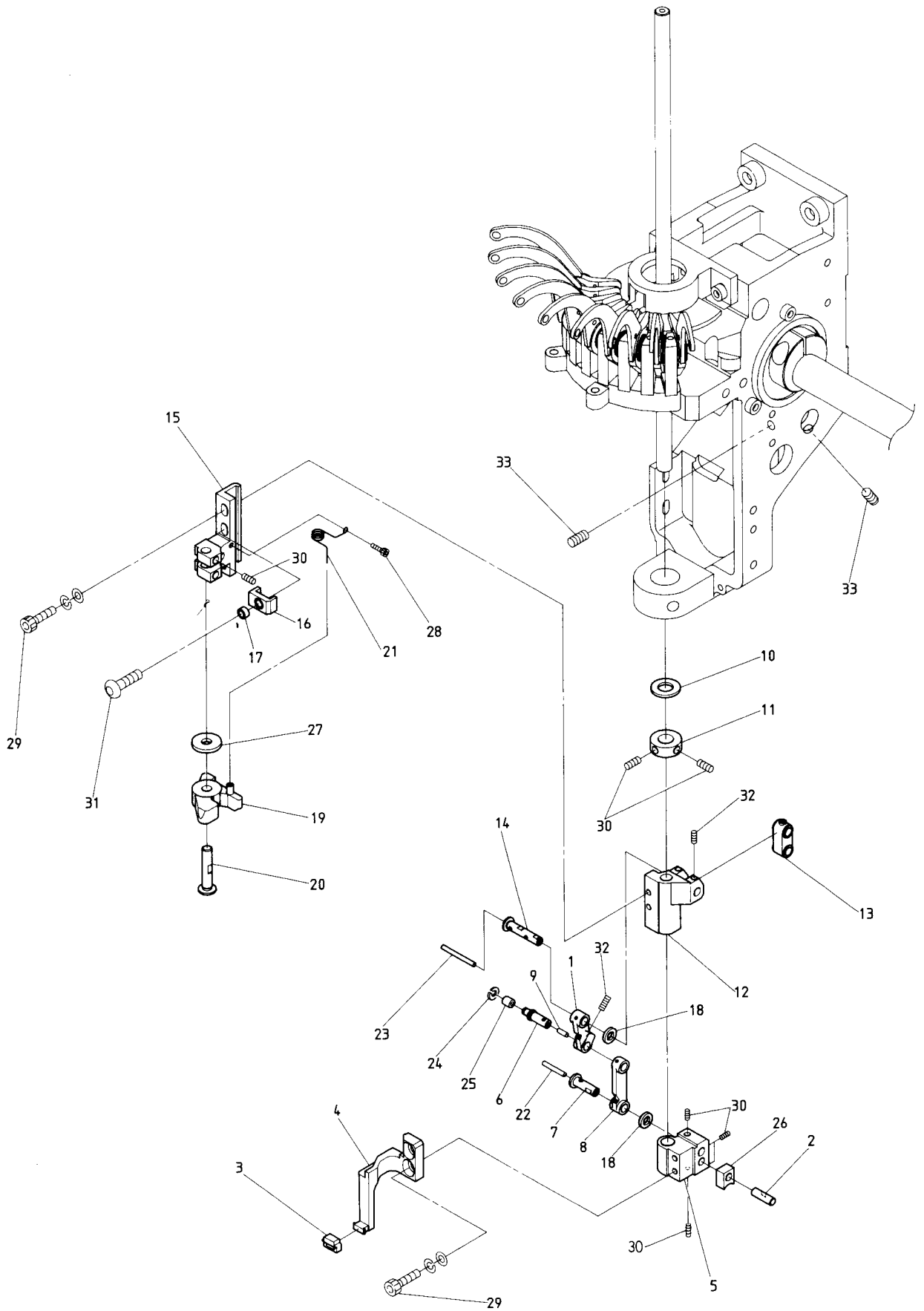
From the library of: Diamond Needle Corp

⑧ Needle bar mechanism I

(H=Head Q'TY)

ITEM	LIST No.	DESCRIPTION	Q'TY	REMARK
1		Turning plate a'ssy	H×1	
2	HT230130	Needle bar cap	H×9	
3	HB230190	Lock lever shaft	H×1	
4	KF230640	Lock connecting clamp	H×1	
5	KC330410	Lock connecting rod (L=2000)	6	
6	HT230190	Needle bar a'ssy	H×9	
7	HB230791	Needle bar spring (Upper) small bobbin	H×9	
	HT230700	Needle bar spring (Upper) middle bobbin	H×9	
8	HT230141	Pressure foot	H×9	
9	KF230910	O-Ring (Small) P-6	H×9	
10	HT230120	Washer 2.4	H×9	
11	HT230670	Needle clamp (With hook)	H×9	
12	KF230250	Needle (BK-11)	H×9	
13	KF230240	Needle clamp screw (SM9/64)	H×9	
14	HT230570	Turret plate	H×1	
15	HT230690	Turret plate felt	H×1	
16	A9014055	O-Ring (IAS-7) S-7	H×1	
17	HT230061	Needle bar spring (Under)	H×18	
18	A9011023	Thrust bearing outer (GS1528)	H×2	
19	A9011021	Thrust bearing (NTB-1528)	H×2	
20	A9011022	Thrust washer (AS-1528)	H×1	
21	HT230550	Driving shaft lower metal	H×1	
22	HT230180	Turret plate joint pin	H×1	
23	KF330180	Lock bar hand grip	4	
24	HB230180	Lock lever bracket	H×1	
25	KL230180	Lock lever	H×1	
26	KF230661	Lock lever spring	H×1	
27	KF230670	Lock lever spring pin	H×1	
28	HT230151	Needle bar guide	H×1	
29	HT230041	Needle bar	H×1	
30	HT230330	Cloth winder stop latch set clamp	H×1	
31	HT230650	Washer (D6, d4.3, t0.5)	H×9	
32	HT230110	Turret felt	H×1	
33	A9012053	Hex, socket set screw (With steel ball) M6×0.7×8	H×2	
34	HT230261	Washer (For set clamp)	H×9	
35		Hex, socket button bolt M4×5		
36		Hex, socket bolt M8×18		
37		Hex, socket set screw M6×6		
38		Hex, socket set screw M4×6		
39		Hex, socket set screw M5×5		
40		Hex, nut M4(Π)		
41		Hex, socket bolt M3×8	H×9	
42		Hex, socket set screw M4×4 (With adhesion)		
43		Hex, socket set screw M4×4	H×1	

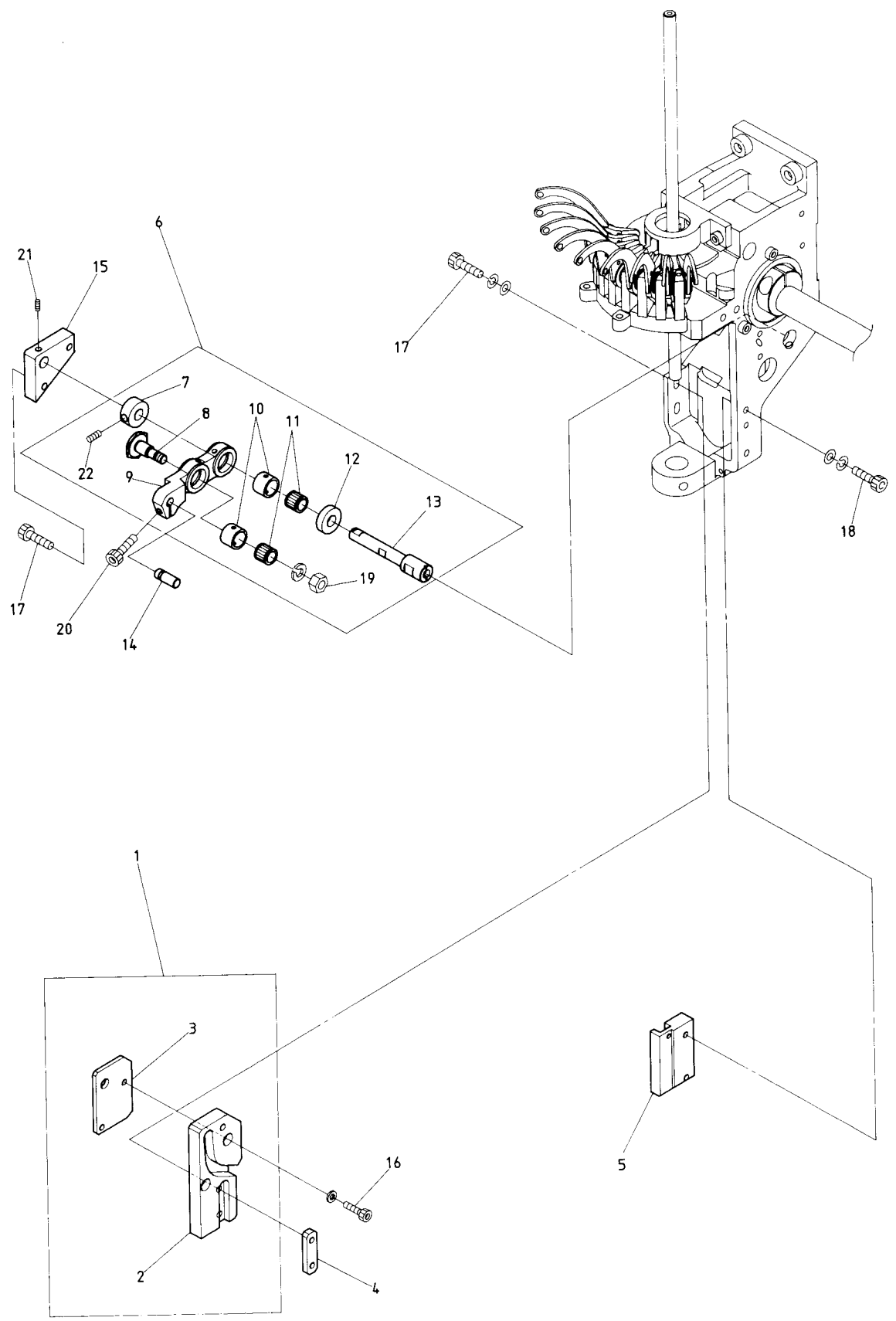
From the library of: Diamond Needle Corp



From the library of: Diamond Needle Corp

Barudan

⑩ Needle bar mechanism III



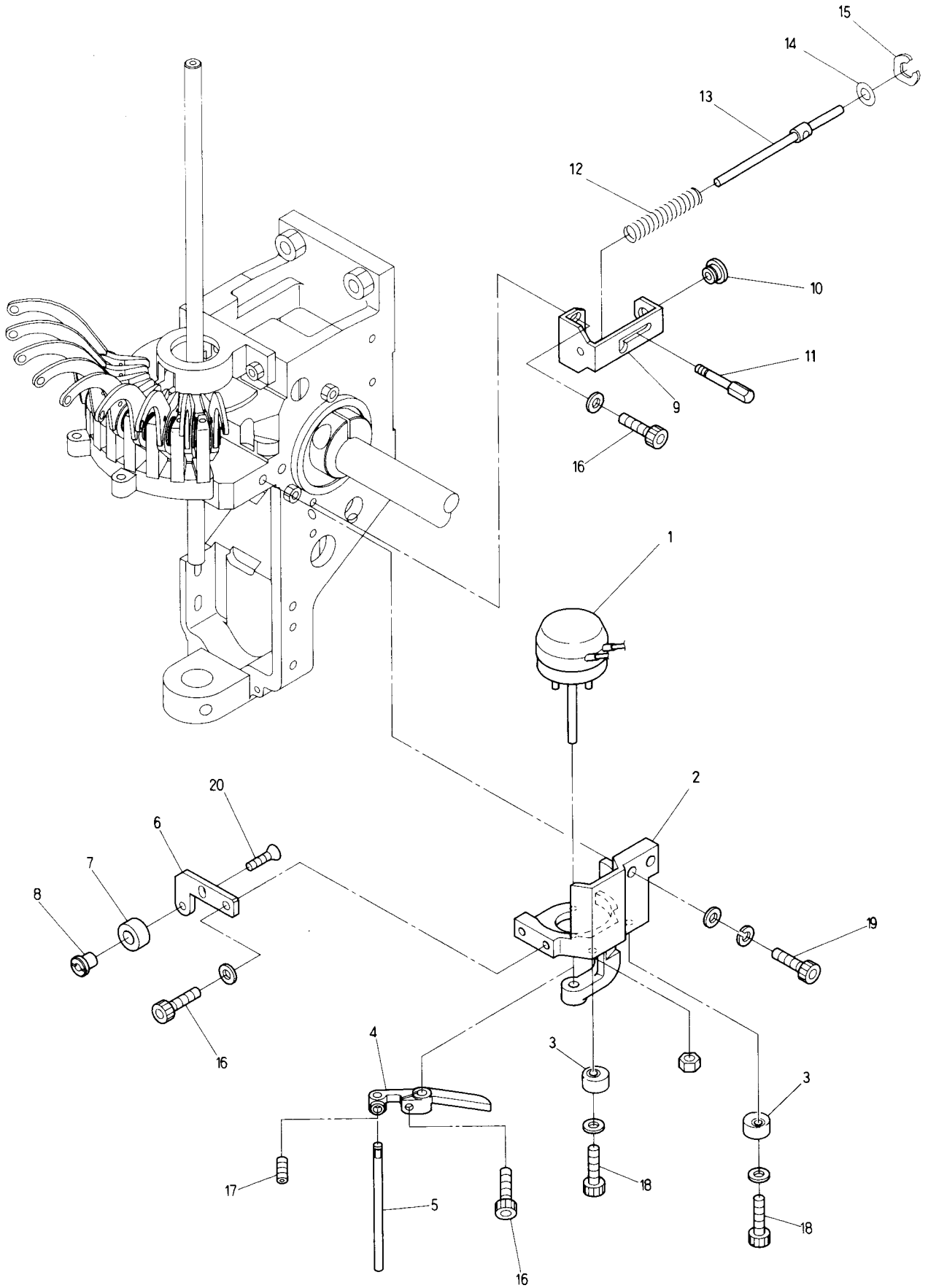
From the library of: Diamond Needle Corp

⑩ Needle bar mechanism III

(H=Head Q' TY)

ITEM	LIST No.	DESCRIPTION	Q'TY	REMARK
1	HT 2 3 0 6 1 0	Pressure foot cam a'ssy	H × 1	
2	HT 2 3 0 3 1 0	Pressure foot cam (K2)	H × 1	
3	HT 2 3 0 6 0 0	Cam back up plate	H × 1	
4	HT 2 3 0 3 8 0	Cam tap plate	H × 1	
5	HT 2 3 0 4 2 0	Guide plate	H × 1	
6	HB 2 3 0 7 0 1	Needle bar driving lever set	H × 1	
7	HB 2 3 0 2 7 1	Needle bar driving lever fixed pin set collar	H × 1	
8	HB 2 3 0 2 6 1	Needle bar driving lever connecting pin	H × 1	
9	HB 2 3 0 2 4 1	Needle bar driving lever	H × 1	
10	HB 2 3 0 3 5 0	Outer (OR11×14×10×1)	H × 2	
11	HB 2 3 0 3 6 0	Needle roller cage (80-K8×11×10)	H × 2	
12	HB 2 3 0 2 8 1	Needle bar driving lever fixed pin collar	H × 1	
13	HT 2 3 0 4 1 0	Needle bar driving lever fixed pin	H × 1	
14	HB 2 3 0 2 2 0	Needle bar driving lever pin (B)	H × 1	
15	HT 2 3 0 5 9 0	Lever pin block	H × 1	
16		Hex, socket bolt M4 × 8		
17		Hex, socket bolt M4 × 15		
18		Hex, socket bolt M4 × 18		
19		Hex, nut M6		
20		Hex, socket bolt M4 × 12 (With adhesion)		
21		Hex, socket set screw M4 × 4 (With nylon)		
22		Hex, socket set screw M5 × 5		

From the library of: Diamond Needle Corp



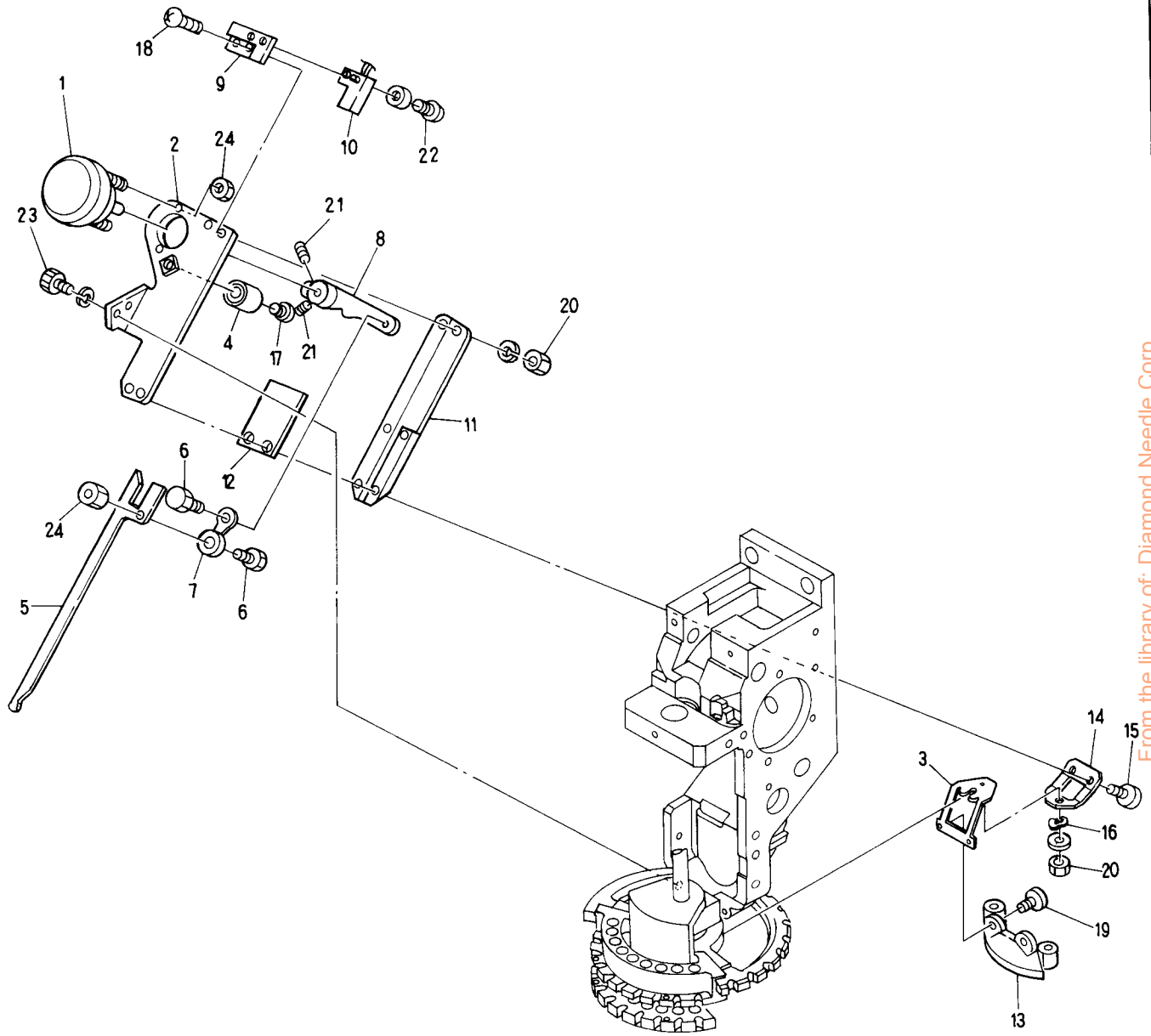
From the library of: Diamond Needle Corp

① Jump a' ssy

(H=Head Q' TY)

ITEM	LIST No.	DESCRIPTION	Q'TY	REMARK
1	A 9 0 5 6 0 2 0	Rotary solenoid (3ER35-35×3×8×9 L=45)	H×1	
2	HB 2 4 0 0 1 1	Junp solenoid fixing bracket	H×1	
3	HB 2 4 0 0 4 1	Junp eccentric	H×2	
4	HB 2 4 0 0 2 0	Junp solenoid lever	H×1	
5	HB 2 4 0 0 3 0	Junp solenoid lever pin	H×1	
6	HT 2 3 0 6 3 0	Needle bar stopper bracket	H×1	
7	HT 2 3 0 2 2 0	Needle bar stopper	H×1	
8	HT 2 3 0 6 2 0	Needle bar stopper fixing pin	H×1	
9	HB 2 4 0 0 6 0	Cancel bracket	H×1	
10	HB 2 4 0 0 9 0	Cancel rod guide	H×1	
11	HB 2 4 0 0 8 0	Manual cancel pin	H×1	
12	HB 2 4 0 1 1 0	Cancel return spring	H×1	
13	HB 2 4 0 0 7 0	Cancel rod	H×1	
14	A 9 0 1 4 0 5 1	O-Ring (P-5)	H×1	
15	A 9 0 1 2 0 5 1	E-Ring φ6	H×1	
16		Hex, socket bolt M4×8		
17		Hex, socket bolt M4×4 (With adhesion)	H×1	
18		Hex, socket bolt M4×12(With adhesion)	H×2	
19		Hex, socket bolt M5×18		
20		Hex, socket flush bolt M4×8	H×1	

From the library of: Diamond Needle Corp



From the library of: Diamond Needle Corp

⑫ Upper thread cutting mechanism I

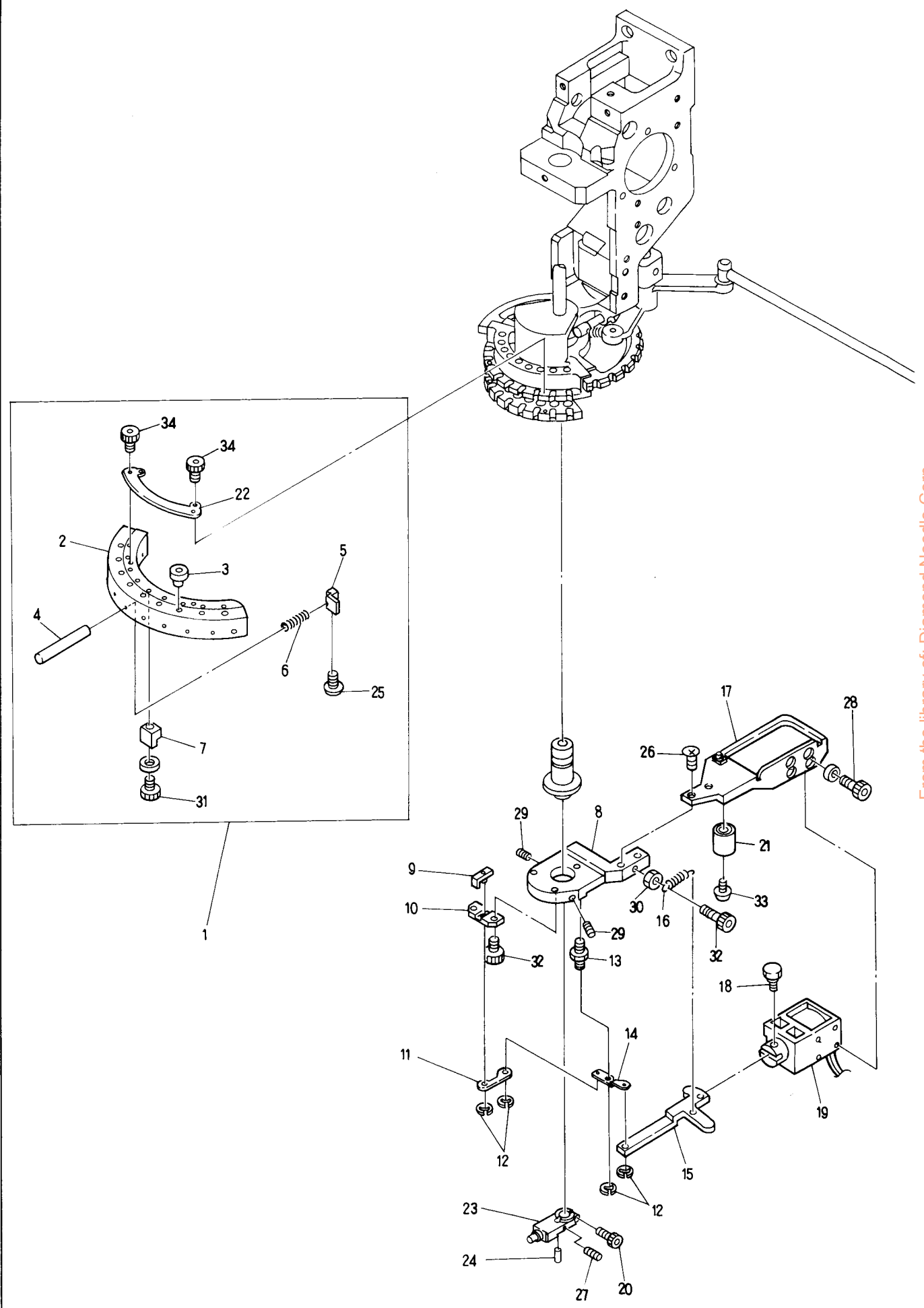
(H=Head Q'TY)

ITEM	LIST No.	DESCRIPTION	Q'TY	REMARK
1	A 9 0 5 6 0 1 8	Rotary solenoid (4ER67.5 -34×8×9) orange	H×1	
2	KL 2 7 0 0 8 1	Thread support base	H×1	
3	HT 2 7 0 0 7 0	Thread hook disk fixed stay	H×1	
4	KN 2 7 2 4 0 0	Eccentric stopper	H×1	
5	KL 2 7 0 1 0 1	Thread support hook	H×1	
6	KL 2 7 0 1 3 0	Lever connecting pin	H×1	
7	KL 2 7 0 1 2 0	Connecting plate	H×1	
8	KL 2 7 0 1 1 0	Thread support solenoid lever	H×1	
9	KL 2 7 0 2 6 0	Switch stay	H×1	
1 0	A 9 0 5 2 0 2 8	Proximity switch (RS-603)	H×1	
1 1	KL 2 7 0 0 9 1	Thread support hook guide	H×1	
1 2	KL 2 7 0 4 5 0	Hook guide plate	H×1	
1 3	KL 2 7 0 4 4 0	Thread hook disc CMP	H×1	
1 4	HT 2 7 0 1 1 0	Rotary shaft fixed stay	H×1	
1 5		Truss screw M3×7		
1 6		Wave washer (For M5)	H×1	
1 7		Truss screw M4×16		
1 8		Truss screw M3×10		
1 9		Truss screw M3×4		
2 0		Hex, nut M3		
2 1		Hex, socket set screw M4×8		
2 2		Truss screw M3×6		
2 3		Hex, socket bolt M4×12		
2 4		Hex, nut M4		

From the library of: Diamond Needle Corp

Barudan

⑬ Upper thread cutting mechanism II

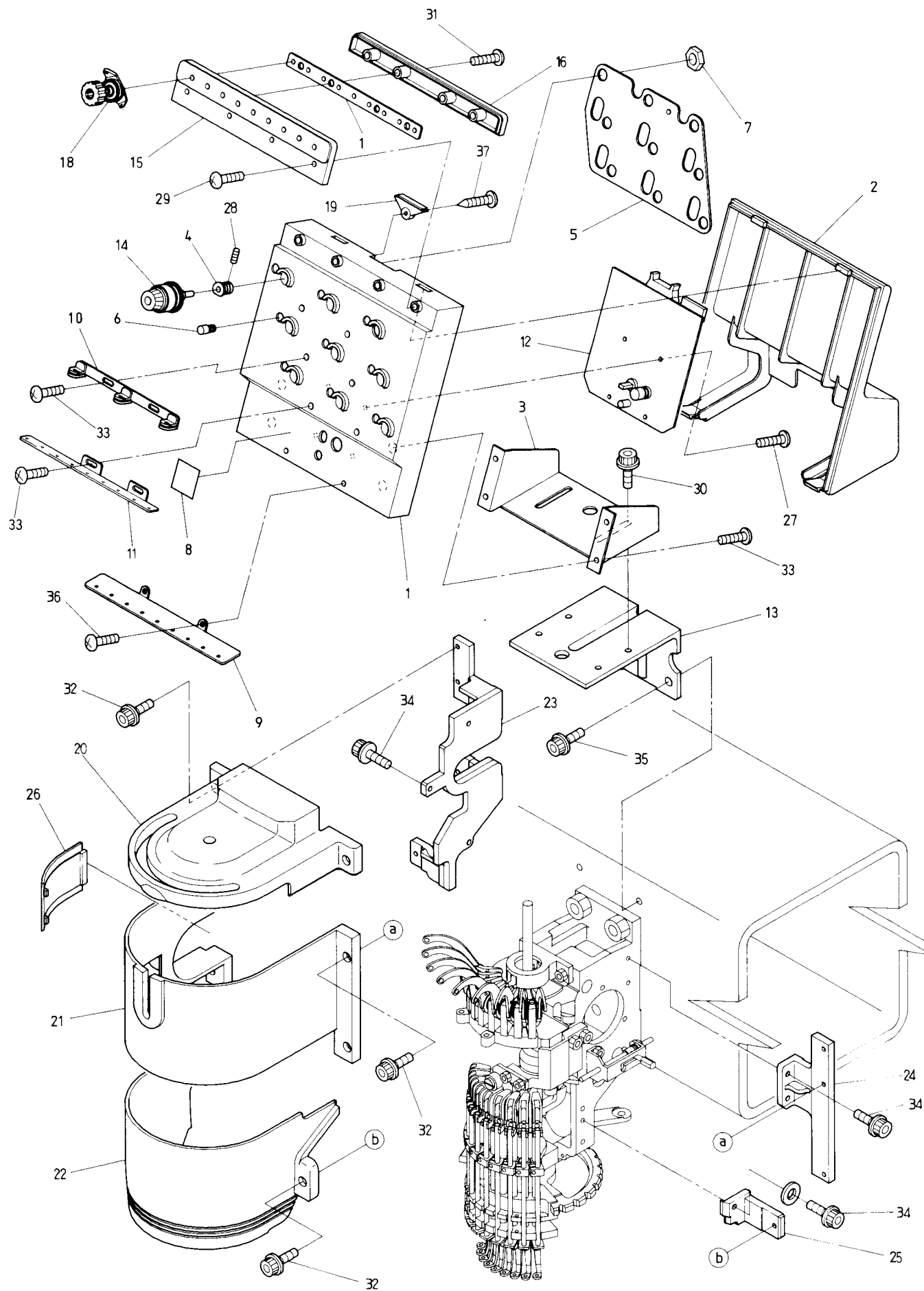


From the library of: Diamond Needle Corp

⑬ Upper thread cutting mechanism II

(H=Head Q'TY)

ITEM	LIST No	DESCRIPTION	Q'TY	REMARK
1	HT270030	Thread support apron a'ssy	H×1	
2	HT270001	Thread support apron	H×1	
3	KF230580	Take up lever ceramic	H×9	
4	HT270040	Thread support shaft	H×9	
5	HT270021	Thread support clamp	H×9	
6	KC270271	Support spring	H×9	
7	KC270292	Thread support block	H×9	
8	KL270000	Fixing base φ3	H×1	
9	HT270120	Thread support slider	H×1	
10	HT270100	Slide base	H×1	
11	KT270080	Driving plate	H×1	
12	A9012056	E-Ring φ3	H×4	
13	KL270040	Lever rotary shaft	H×1	
14	KL270090	Solenoid lever	H×1	
15	KL270060	Lever connecting plate	H×1	
16	KL270520	Return spring	H×1	
17	KL270070	Solenoid stay	H×1	
18	KC270101	Solenoid pin	H×1	
19	A9056013	Keep solenoid (TDS-K10SL)	H×1	
20	HT270640	Driving shaft set bolt	H×1	
21	KN272400	Eccentric stopper	H×1	
22	HT270010	Thread support apron fixing stay	H×1	
23	HT230361	Driving shaft fixed plate	H×1	
24	HT270350	Thread hook disk fixed pin	H×1	
25	HT270062	Set screw for thread support clamp	H3×4	
26		Flush screw M4×8		
27		Set screw M3×5		
28		Hex, socket bolt M6×3		
29		Hex, socket set screw M4×8		
30		Hex, nut M4		
31		Hex, socket bolt M3×10		
32		Hex, socket bolt M4×8		
33		Truss screw M4×16		
34		Hex, socket bolt (Plating) M3×6	H×4	

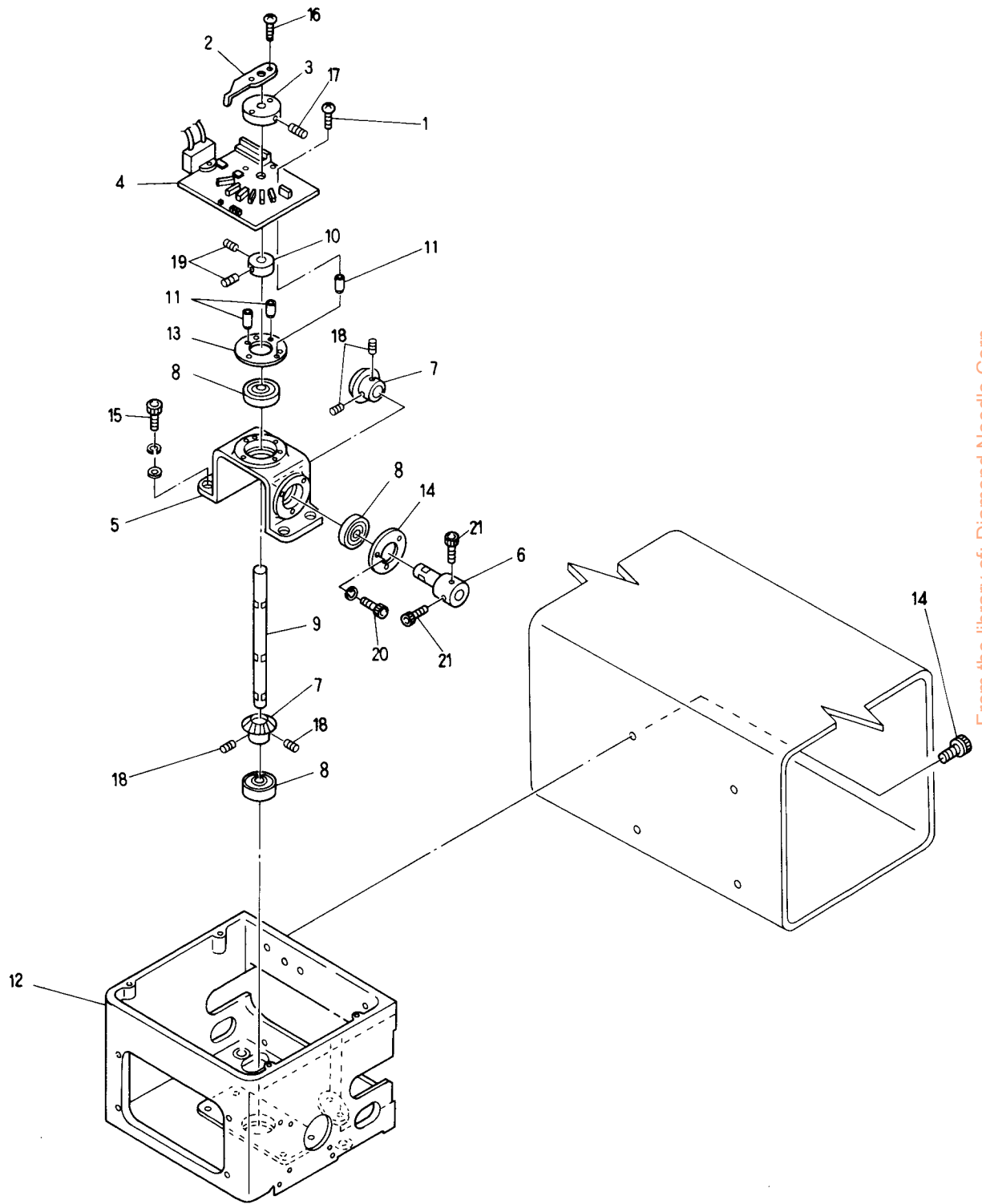


From the library of: Diamond Needle Corp

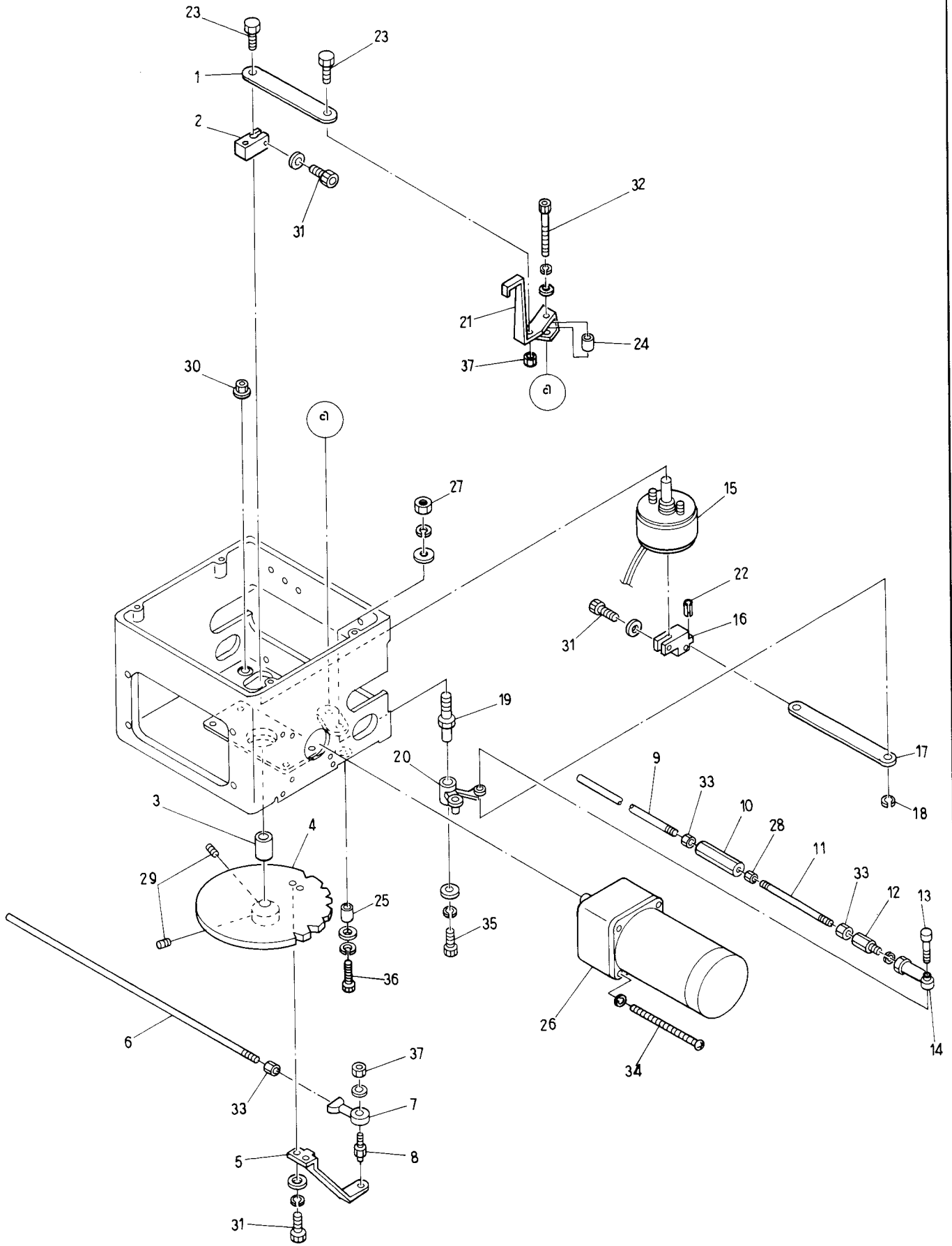
⑭ Thread guide mechanism

(H=Head Q' TY)

ITEM	LIST No.	DESCRIPTION	Q'TY	REMARK
1	HT240120	Tension base case	H×1	
2	HT240130	Tension base cover	H×1	
3	HT240140	Tension base	H×1	
4	HT240150	Base	H×9	
5	HT240160	Tension earth plate	H×1	
6	HT240170	Upper thread detection pin	H×9	
7	HT240180	SM-Nut	H×9	
8		No. Label	H×1	
9	HT240020	Second thread guide plate	H×1	
10	HT240060	First thread guide	H×2	
11	HT240390	Thread guide plate	H×1	
12	EBY01110	4619 Head board	H×1	
13	HB240300	Tension base bracket (Bridge (MSH))	H×1	
14	HT240320	Dial type tension unit complete (YN)	H×9	
15	HT240211	Upper thread guide fixing case	H×1	
16	HT240220	Upper thread guide fixing cover	H×1	
17	HT240230	Upper thread guide fixing base	H×1	
18	HT240331	Thread guide for second tension (Pinless)		
19	HT240240	Blind cap	H×1	
20	HB240200	Sewing head cover (A)	H×1	
21	HT240460	Sewing head cover (B) (YN-2)	H×1	
22	HT240220	Sewing head cover (C)	H×1	
23	HT240430	Sewing head cover fixing bracket (A)	H×1	
24	HB240240	Sewing head cover fixing bracket (B)	H×1	
25	HT240440	Sewing head cover fixing bracket (C)	H×1	
26	HT240470	Supply of oil cover	H×1	
27		Pan screw B M3×8		
28		Hex, socket set screw M4×12		
29		Pan screw M3×6		
30		Hex, socket bolt with washer M5×10		
31		Tapping screw (II) M3×12		
32		Hex, socket bolt M4×6 (With washer)		
33		Truss screw M4×10		
34		Flange bolt M4×12		
35		Flange bolt M6×20		
36		Tapping truss screw M4×10		
37		Tapping screw M3×12		



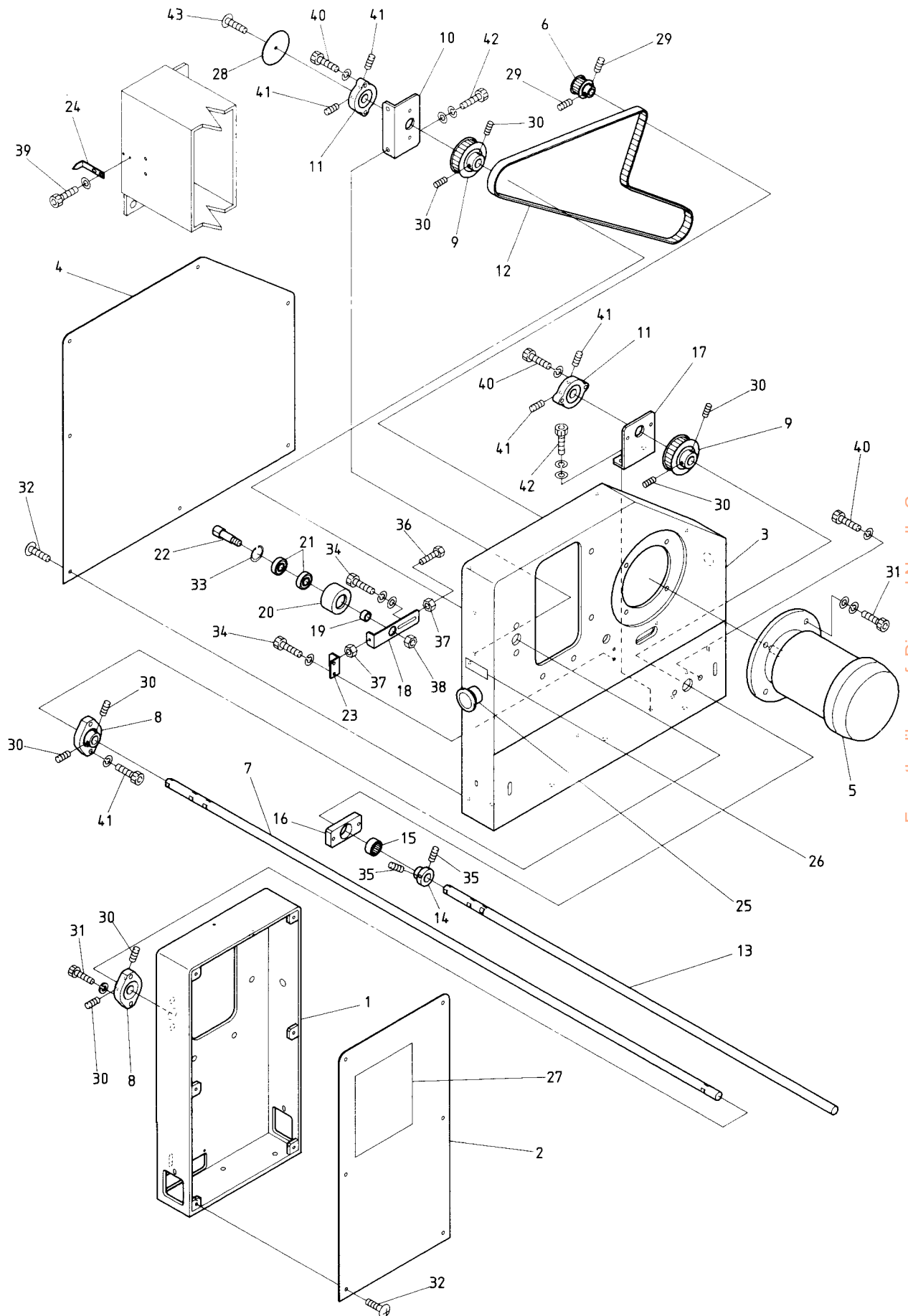
From the library of: Diamond Needle Corp



From the library of: Diamond Needle Corp

⑩ Color change mechanism II

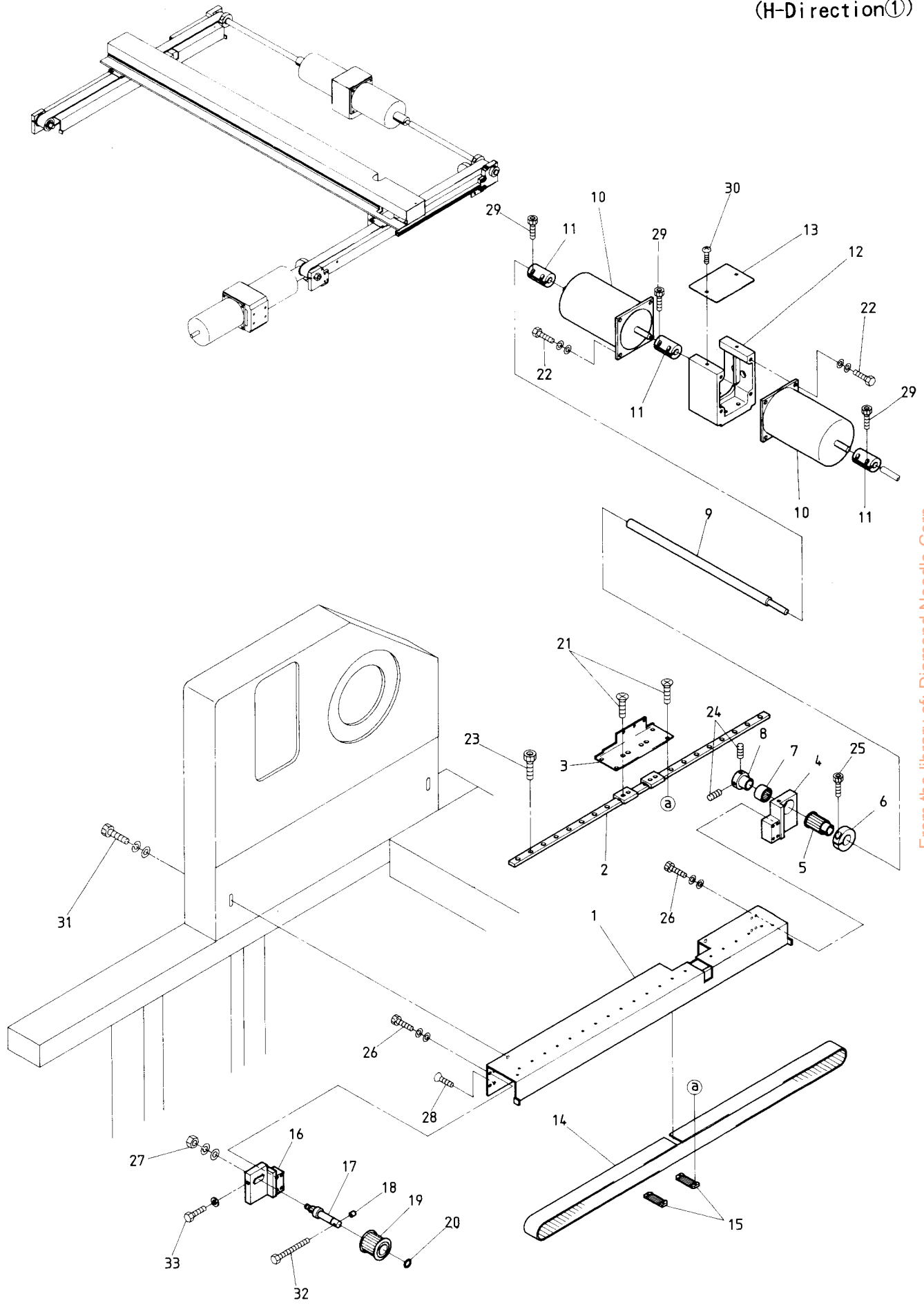
ITEM	LIST No.	DESCRIPTION	Q'TY	REMARK
1	HB330090	Lock confirmation lever (Driving plate)	1	
2	HB330070	Lock confirmation lever (Driving plate)	1	
3	HB330120	Positing collar	1	
4	HT330000	Color change plate	1	
5	HB330040	Color change plate lever	1	
6	KC330310300	Turret plate connecting rod (L=250)	1	
7	A9012001	Uniball joint (RD4020R)	1	
8	HP331660	Joint pin	1	
9	KC330410	Lock connecting rod L=2000	2	
10	HH330770	Hex, connecting bar	1	
11	KC330420	Lock connecting rod	1	
12	HP331610	Hex, connecting bar	1	
13	HP331560	Lock lever pin	1	
14	A9012002	Uniball joint (PR-6)	1	
15	A9056011	Rotary solenoid (6SR25-27×3, 4, 9)	1	
16	HB330060	Lock solenoid lever	1	
17	HB330080	Link lock lever	1	
18	A9012055	E-Ring (φ4)	1	
19	KF230630	Lock lever shaft	1	
20	HB330050	Color change lock lever	1	
21	HB330101	Lock confirmation lever	1	
22	A9012143	Spring pin φ6×12	1	
23	HP331700	Lock confirmation lever pin	2	
24	HP331950	Lock confirmation roller	1	
25	HH330670	Eccentric stopper	1	
26	HH330810	Gear motor shaft (RM-F6A5PC3-AS-180)	1	
27		Hex, nut M8		
28		Hex, nut M5		
29		Hex, socket set screw M5×8 (With adhesion)	2	
30		Flange nut M5		
31		Hex, socket bolt M5×15		
32		Hex, socket bolt M4×30		
33		Hex, nut M5		
34		Pan screw M4×60		
35		Hex, socket bolt M5×10		
36		Hex, socket bolt M4×25		
37		Hex, nut M4		



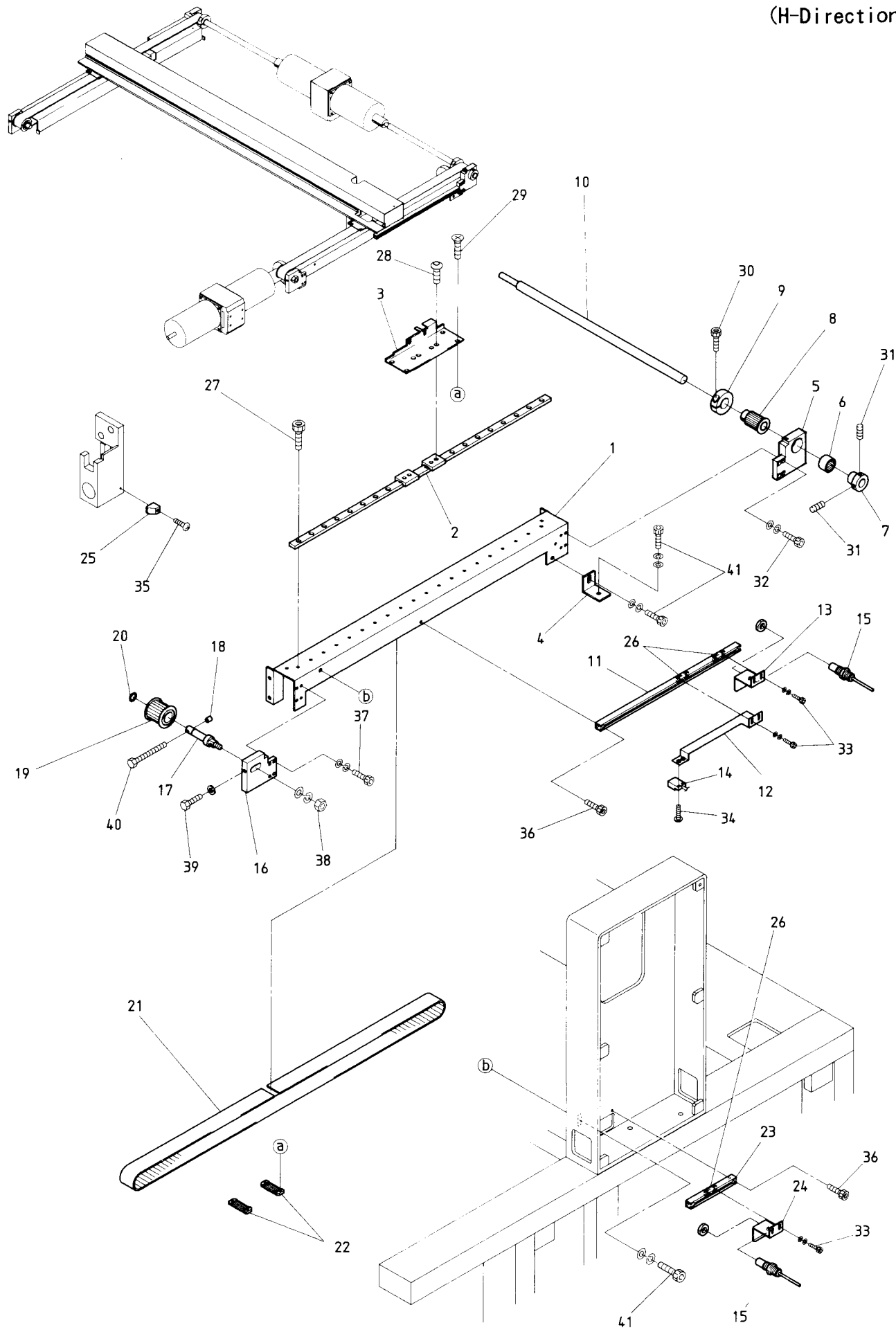
From the library of: Diamond Needle Corp

⑰ Driving mechanism

ITEM	LIST No.	DESCRIPTION	Q'TY	REMARK
1	HM310000	Gear box(R)	1	
2	HM310020	Gear box cover(R)	1	
3	HM310010	Gear box(L)	1	
4	HM310030	Gear box cover(L)	1	
5	A9065045	VF motor 1K-FCKL8-4P-0.2kw	1	
6	HM310090	Timing pulley B	1	
7	HM310200	Upper shaft(BEMYHE-YN-1T)	1	
	HM310600	Upper shaft(BEMYHE-YN-2T)	1	
8	HM310210	Connecting bearing unit	2	
9	HM310220	Timing pulley A	2	
10	HM310230	Bearing bracket A	1	
11	HP321140	Connecting bearing unit	2	
12	A9020160	Timing belt(Rubber) B150S5M1270 Endless	1	
13	HM310400	Lower shaft(BEMYHE-YN-1T)	1	
	HM310810	Lower shaft(BEMYHE-YN-2T)	1	
14	HP321090	Lower shaft connecting shaft collar	1	
15	A9011111	Needle bearing TLA2012Z	1	
16	HM310410	Bearing plate	1	
17	HM310420	Bearing bracket B	1	
18	HM310070	Tensioner	1	
19	HM310060	Collar	1	
20	HM310040	Idler	1	
21	A9010003	Bearing 6001ZZ	2	
22	HM310050	Idler pulley shaft	1	
23	HM310080	Bracket	1	
24	HM310240	Angle gauge	1	
25	A9052041	Push button switch (Momentari) BN22B10R Red	1	
26	A9019009	Aluminium name (STOP)	1	
27	HT700000	Oiling seal	1	
28	HM310250	Angle gauge plate	1	
29		Hex, socket set screw M4×5	2	
30		Hex, socket set screw M5×6	8	
31		Hex, socket bolt M8×20	8	
32		Truss screw M5×12	14	
33		C-Ring (For hole φ28)	1	
34		Hex, socket bolt M5×8	3	
35		Hex, socket set screw M5×8	2	
36		Hex, bolt M5×35(Full screw)	1	
37		Hex, nut M5	3	
38		Hex, nut M10	1	
39		Hex, socket bolt M4×8	2	
40		Hex, socket bolt M6×22	6	
41		Hex, socket set screw M5×6	4	
42		Hex, socket bolt M6×15	4	
43		Flush screw M4×6	1	



From the library of: Diamond Needle Corp

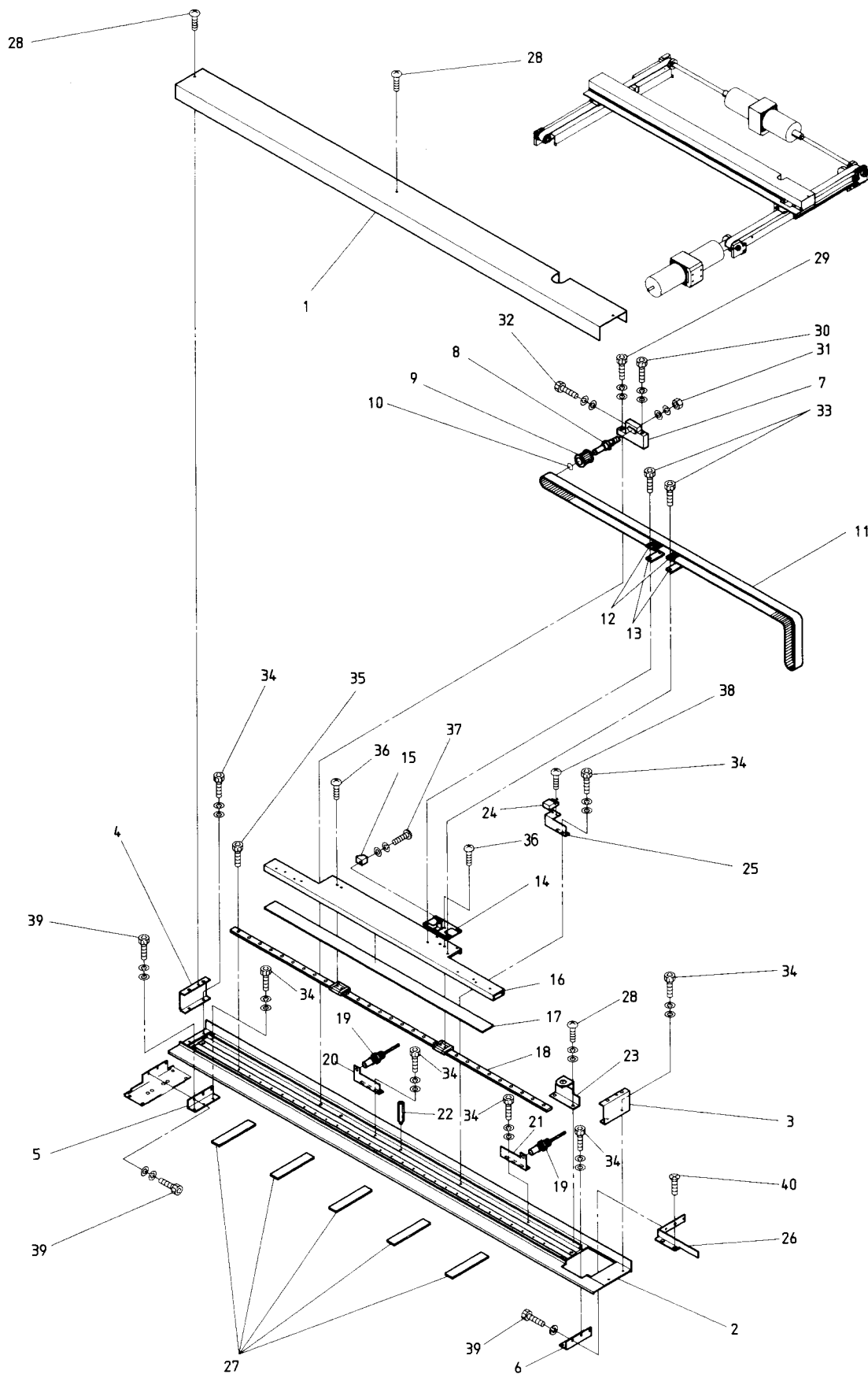


From the library of: Diamond Needle Corp

①9 Pantograph driving mechanismⅡ (H-Direction②)

ITEM	LIST No.	DESCRIPTION	Q'TY	REMARK
1	HM480171	H-Guide bracket(R)	1	
2	HM480161	LM Guide 600LHT(H)	1	
3	HM480091	H-Slide bracket(R)	1	
4	HM480080	H-Guide bracket support	1	
5	HP480030	H-Guide rear pulley bracket(R)	1	
6	A9011063	Needle bearing TLA2016	1	
7	HH481970	P.M Connecting shaft collar	1	
8	HP482990	Pantograph driving pulley(Rear)	1	
9	HH481980	φ19 Clamp	1	
10	HM480820	H-Direction motor shaft(2)	1	
11	HM480190	Rail	1	
12	HM480220	Origin point sensor bracket(H-Side)	1	
13	HM480290	RS-001 Bracket R(H-Side)	1	
14	A9052031	Magnet proximity switch MH-601A	1	
15	A9052024	Switch RS-001	1	
16	HM480050	H-Guide front pulley bracket(R)	1	
17	HM480020	Driving pulley shaft	1	
18	HH482110	Pulley shaft bolt cap	1	
19	HM480010	Driving pulley(H-Side)	1	
20	A9012052	E-Ring (φ10)	1	
21	A9020158	Timing belt (B300S5M-2800)	1	
22	HP482940	Belt set rack	2	
23	HM480200	Rail	1	
24	HM480300	RS-001 Bracket L(H-Side)	1	
25	A9052030	Magnet M-102	1	
26	KU460270	Plate nut(M3)	3	
27		Hex, socket bolt M3×8	20	
28		Hex, socket button bolt M4×5	6	
29		Flush screw M3×8	4	
30		Hex, socket bolt M5×18	1	
31		Hex, socket set screw M5×8	2	
32		Hex, socket bolt M4×12	8	
33		Hex, socket bolt M3×8	6	
34		Pan screw M3×10	2	
35		Truss screw M3×6	1	
36		Hex, socket bolt M4×8	4	
37		Hex, socket bolt M6×12	3	
38		Hex, nut M8	1	
39		Hex, bolt M4×25	1	
40		Hex, bolt M4×40	1	

From the library of: Diamond Needle Corp



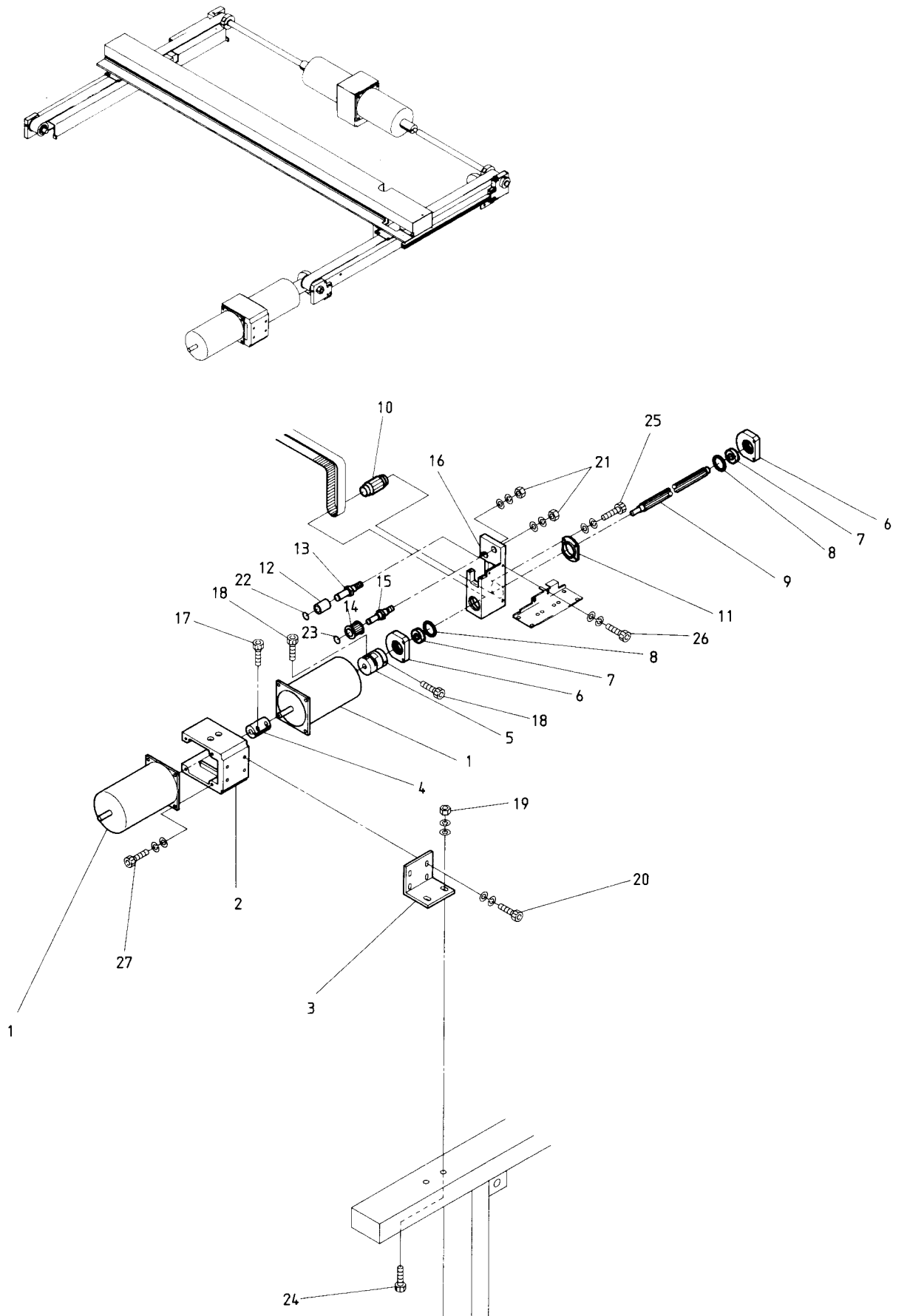
From the library of: Diamond Needle Corp

⑳ Pantograph driving mechanismⅢ (V-Direction①)

(H=Head Q'TY)

ITEM	LIST No	DESCRIPTION	Q'TY	REMARK
1	HM480780	V-Guide cover(For first head)	1	
	HM482420	V-Guide cover(For second head)	1	
2	HM480770	V-Guide bracket(For first head)	1	
	HM482410	V-Guide bracket(For second head)	1	
3	HM480610	Cover fixing stay(R)	1	
4	HM480620	Cover fixing stay(L)	1	
5	HM480710	Bracket(L)	1	
6	HM480700	Bracket(R)	1	
7	HM480600	Idler bracket	1	
8	HM480660	Timing pulley shaft B	1	
9	HM480640	Timing pulley(V)	1	
10		E-Ring($\phi 8$)	1	
11	A9020159	Timing belt(B200S5M-340-0)	1	
12	HM480680	Belt set rack	2	
13	HM480840	Belt set plate	2	
14	HM480630	Magnet fixing plate	1	
15	A9052030	Magnet M-102A-02	1	
16	HM480760	V-Slide bracket(For first head)	1	
	HM482400	V-Slide bracket(For second head)	1	
17	HM480860	Slide guide 21 \times 630L (For first head)	1	
	HM480870	Slide guide 21 \times 1150L (For second head)	1	
18	HM480801	LM Guide LWLF 14C 2R 870EN101 (V-Side)(For first head)	1	
	HM482431	LM Guide LWLF 14C 3R 1390EN102 (V-Side)(For second head)	1	
19	A9052024	Switch RS-001	2	
20	HM480730	RS-001 Switch fixing bracket(L)	1	
21	HM480740	RS-001 Switch fixing bracket(R)	1	
22	HM480790	Stud bolt	(H \times 2)-1	
23	HM480850	Electrical wire bracket(V-Side)	1	
24	A9052031	Proximity switch(MH-601A)	1	
25	HM480720	Origin point sensor bracket(V-Side)	1	
26	HM480690	V-Slide bracket support	1	
27	HM480810	V-Guide felt	(H \times 3)+2	
28		Truss screw M4 \times 6	5	
29		Hex, socket bolt M6 \times 20	1	
30		Hex, socket bolt M6 \times 40	1	
31		Hex, nut M10	1	
32		Hex, socket bolt M5 \times 25	1	
33		Hex, socket bolt M4 \times 15	4	
34		hex, socket bolt M4 \times 8	(H \times 3)+2	
35		Hex, socket bolt M3 \times 6	(H \times 17) +12	
36		Truss screw M4 \times 8	2	
37		Truss screw M3 \times 6	1	
38		Truss screw M3 \times 10	2	
39		Hex, socket bolt M4 \times 10	10	
40		Flush screw M4 \times 8	2	

From the library of: Diamond Needle Corp

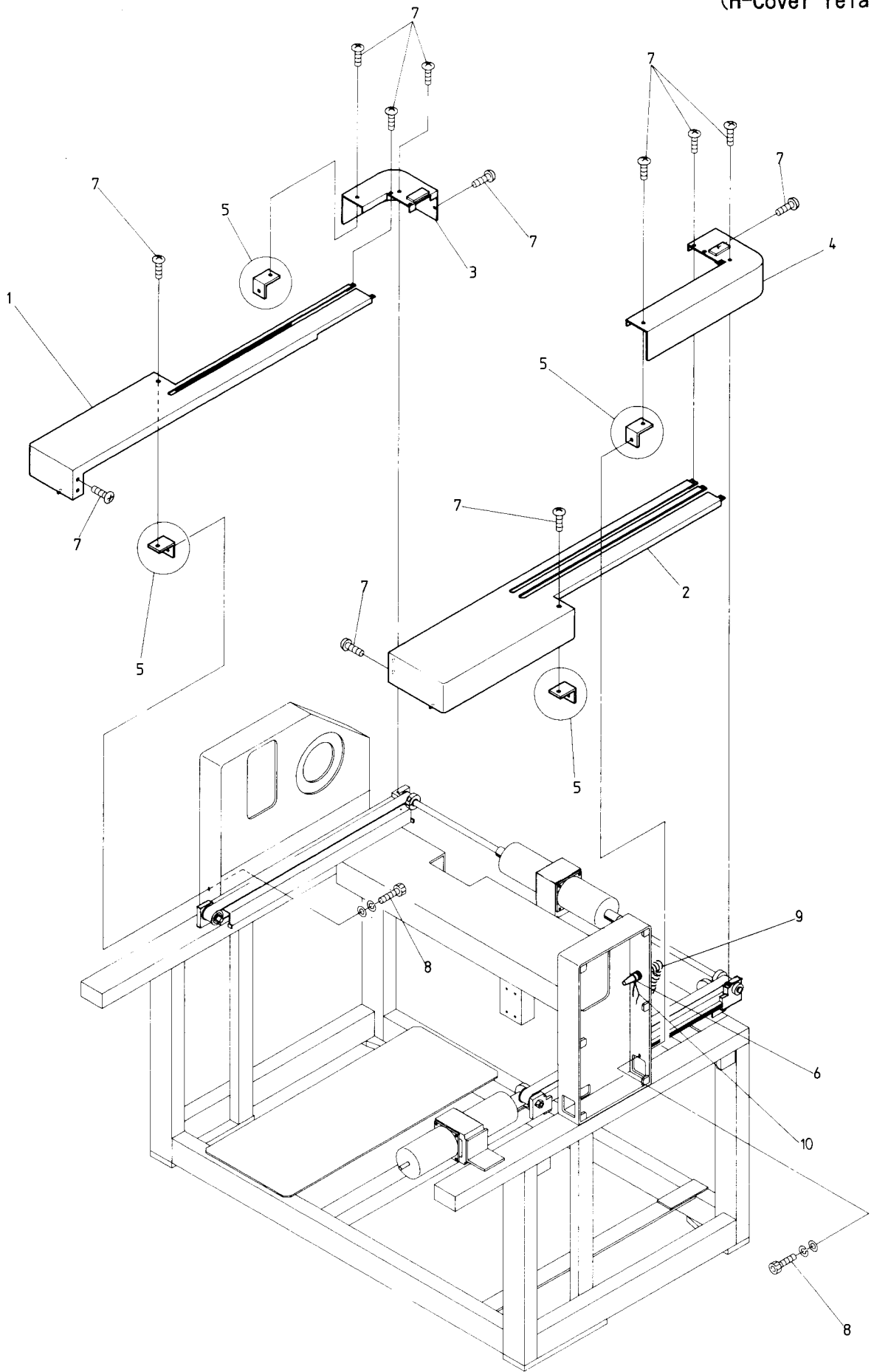


From the library of: Diamond Needle Corp

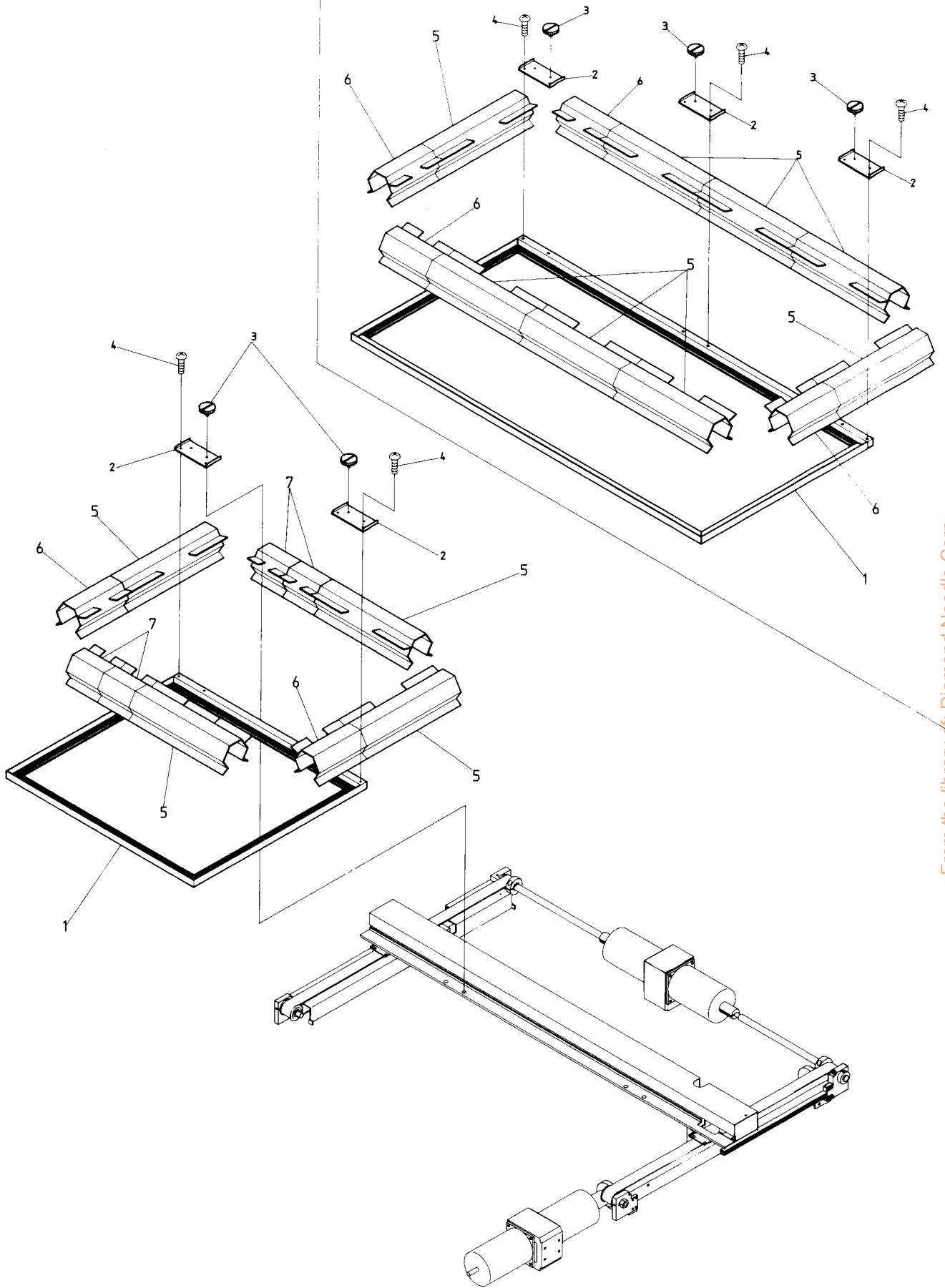
②1 Pantograph driving mechanismIV (V-Direction②)

ITEM	LIST No.	DESCRIPTION	Q'TY	REMARK
1	KC470110	Pulse motor(3M)	2	
2	HM480130	Pulse motor bracket	1	
3	HM480750	V-Pulse motor bracket	1	
4	MA470170	Coupling($\phi 9.525$)	1	
5	A9013058	Coupling CPU-36-A	1	
6	HM480070	Bearing set collar(H)	2	
7	A9010003	Bearing 6001ZZ	2	
8	A9014056	O-Ring p28	2	
9	HM480280	Driving shaft TS15 \times 16 \times 652L	1	
10	HM480000	Timing pulley(MZ15+P16S5M0250)	1	
11	HM480120	Spline shaft bearing set collar(H)	1	
12	A9011127	Needle bearing TA1225Z	1	
13	HM480670	Timing pulley shaft C	1	
14	HM480640	Timing pulley(V)	1	
15	HM480650	Timing pulley shaft A	1	
16	HM480110	Slide block	1	
17		Hex, socket bolt M5 \times 14	2	
18		Hex, socket bolt M4 \times 16	2	
19		Hex, nut M8	2	
20		Hex, socket bolt M6 \times 25	4	
21		Hex, nut M10	2	
22		E-Ring($\phi 11$)	1	
23		E-Ring($\phi 8$)	1	
24		Hex, socket bolt M8 \times 20	2	
25		Hex, socket bolt M4 \times 12	4	
26		Hex, socket bolt M4 \times 10	2	
27		Hex, socket bolt M5 \times 20	8	

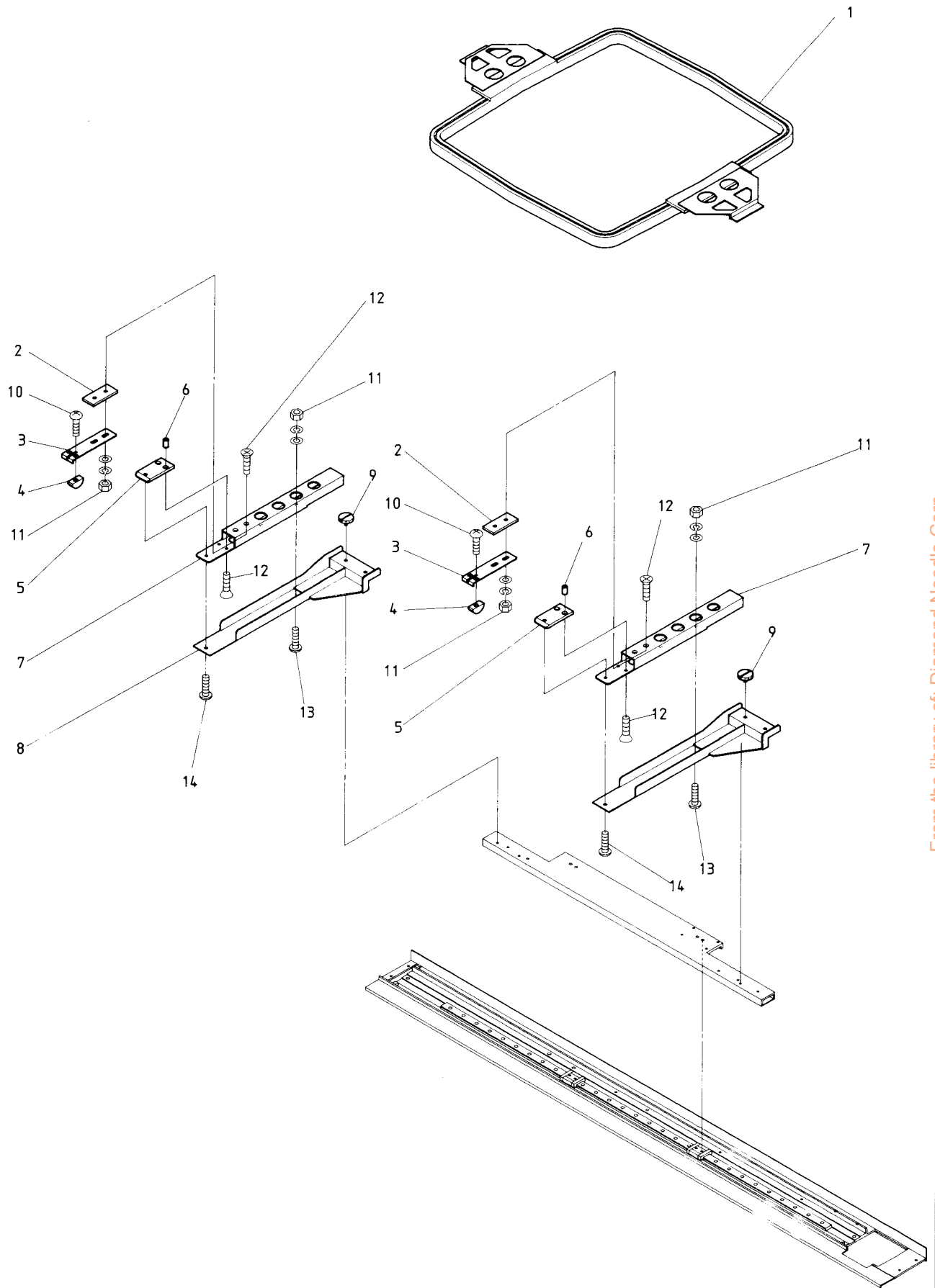
From the library of: Diamond Needle Corp



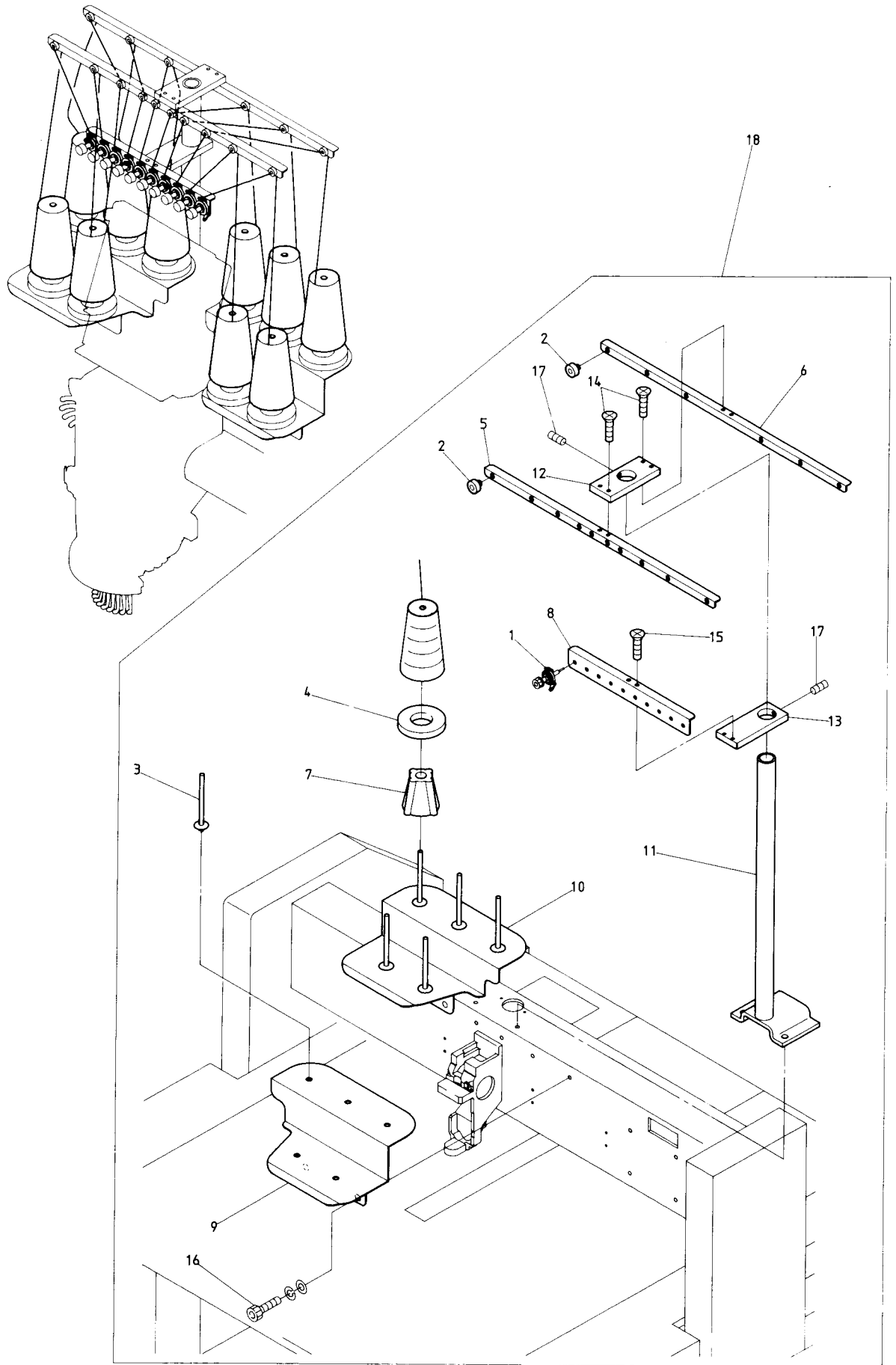
From the library of: Diamond Needle Corp



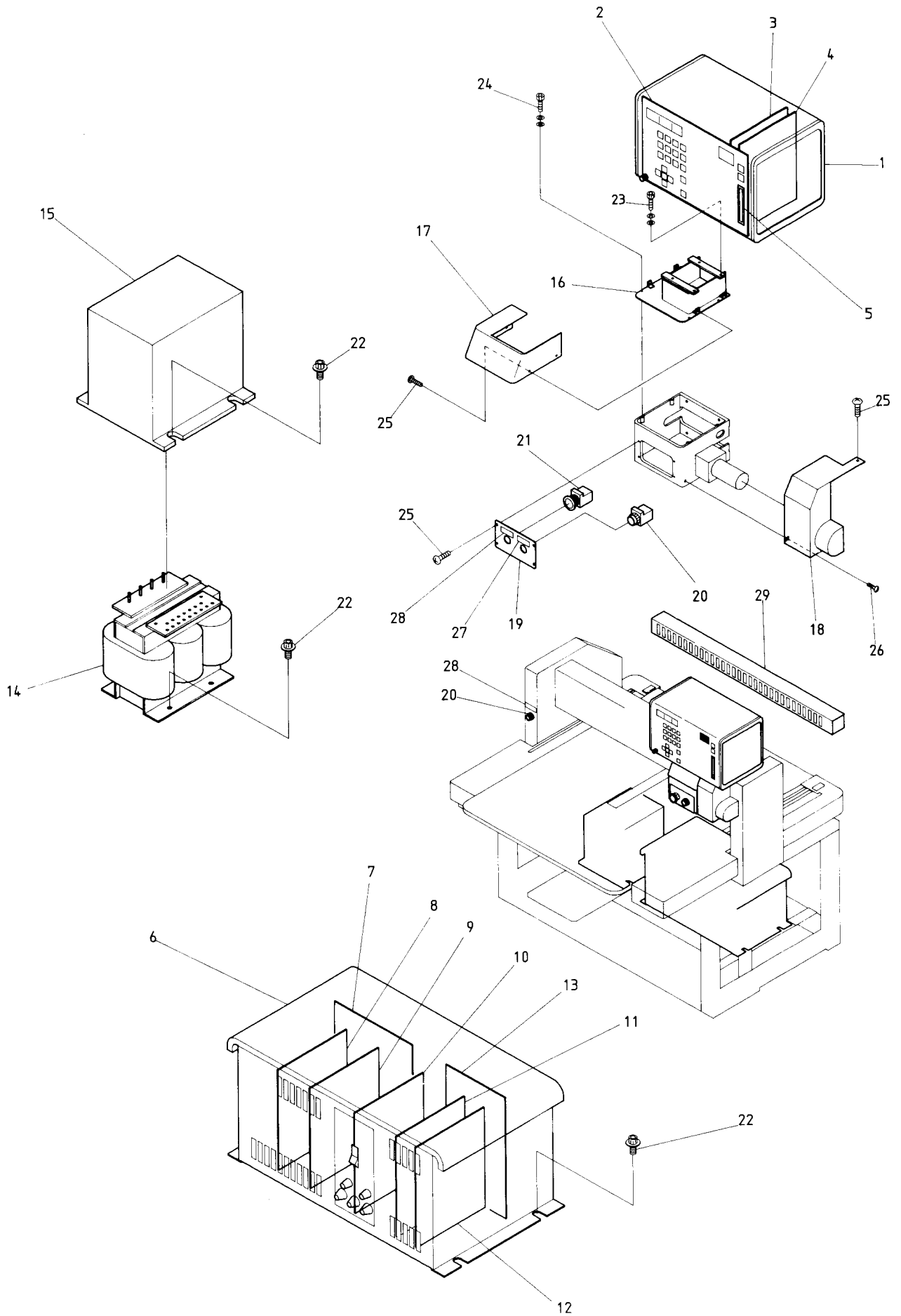
From the library of: Diamond Needle Corp



From the library of: Diamond Needle Corp



From the library of: Diamond Needle Corp



From the library of: Diamond Needle Corp

I N D E X

LIST No.	PAGE No.	ITEM	LIST No.	PAGE No.	ITEM
2 CHM 901520	56	18	A 9019005	6	2
2 CHM 902520	56	18	A 9019008	58	27
A 9010001	36	7	A 9019009	40	26
A 9010003	40	21	A 9019009	58	28
A 9010003	48	7	A 9020158	42	14
A 9010017	18	15	A 9020158	44	21
A 9011021	20	5	A 9020159	46	11
A 9011021	22	19	A 9020160	40	12
A 9011022	22	20	A 9052005	16	4
A 9011023	22	18	A 9052024	44	15
A 9011063	42	7	A 9052024	46	19
A 9011063	44	6	A 9052028	30	10
A 9011111	12	11	A 9052030	44	25
A 9011111	40	15	A 9052030	46	15
A 9011127	48	12	A 9052031	44	14
A 9011152	20	4	A 9052031	46	24
A 9011173	14	27	A 9052041	40	25
A 9012001	38	7	A 9052041	58	20
A 9012002	16	8	A 9052042	58	21
A 9012002	38	14	A 9053016	58	
A 9012007	12	23	A 9053065	50	7
A 9012007	14	26	A 9053065	50	9
A 9012027	12	20	A 9053066	8	
A 9012051	28	15	A 9053067	16	
A 9012052	42	20	A 9053068	16	
A 9012052	44	20	A 9054040	16	1
A 9012053	22	33	A 9056008	14	2
A 9012055	38	18	A 9056011	38	15
A 9012056	32	12	A 9056012	14	1
A 9012143	38	22	A 9056013	32	19
A 9012163	18	16	A 9056018	30	1
A 9012164	24	10	A 9056020	28	1
A 9012230	4	21	A 9065028	16	13
A 9012230	6	21	A 9065045	40	5
A 9012367	24	27	A 9068030	50	6
A 9012368	24	17	A 9068031	50	8
A 9013045	14	21	A 9068031	50	10
A 9013058	48	5	E A 0 2 8 7 A 0	58	1
A 9013059	4	3	E A Y 0 1 8 A 3	58	14
A 9013059	6	3	E B Y 0 0 5 1 0	58	12
A 9014051	28	14	E B Y 0 0 5 2 0	58	11
A 9014055	22	16	E B Y 0 0 5 3 0	58	9
A 9014056	48	8	E B Y 0 0 5 4 0	58	8
A 9014059	12	30	E B Y 0 0 5 5 0	58	10
A 9019005	4	2	E B Y 0 0 5 6 0	58	13

From the library of: Diamond Needle Corp

LIST	No.	PAGE No.	ITEM	LIST	No.	PAGE No.	ITEM
EBY 0 0 5 7 0		5 8	7	HB 2 4 0 0 3 0		2 8	5
EBY 0 0 6 3 0		5 8	5	HB 2 4 0 0 4 1		2 8	3
EBY 0 0 9 3 0		5 8	2	HB 2 4 0 0 6 0		2 8	9
EBY 0 0 9 4 0		5 8	3	HB 2 4 0 0 7 0		2 8	1 3
EBY 0 0 9 5 0		5 8	4	HB 2 4 0 0 8 0		2 8	1 1
EBY 0 1 1 1 0		3 4	1 2	HB 2 4 0 0 9 0		2 8	1 0
EBY 0 1 1 2 0		3 6	3	HB 2 4 0 1 1 0		2 8	1 2
EBY 0 1 7 A 2		5 8	6	HB 2 4 0 1 5 1		2 0	2
FR92460434A520		5 4	1	HB 2 4 0 1 6 1		2 0	1 3
HB 2 2 0 0 1 0		1 2	1 5	HB 2 4 0 2 0 0		3 4	2 0
HB 2 3 0 0 1 1		1 8	1 3	HB 2 4 0 2 4 0		3 4	2 4
HB 2 3 0 0 2 0		1 8	1 1	HB 2 4 0 3 0 0		3 4	1 3
HB 2 3 0 0 3 0		1 8	1 4	HB 3 3 0 0 1 0		3 6	1 1
HB 2 3 0 0 4 0		1 8	1 9	HB 3 3 0 0 2 0		3 6	4
HB 2 3 0 0 5 1		1 8	1 0	HB 3 3 0 0 4 0		3 8	5
HB 2 3 0 0 6 2		1 8	9	HB 3 3 0 0 5 0		3 8	2 0
HB 2 3 0 0 7 0		1 8	8	HB 3 3 0 0 6 0		3 8	1 6
HB 2 3 0 0 8 0		1 8	7	HB 3 3 0 0 7 0		3 8	2
HB 2 3 0 1 1 1		1 8	5	HB 3 3 0 0 8 0		3 8	1 7
HB 2 3 0 1 6 0		2 4	1 1	HB 3 3 0 0 9 0		3 8	1
HB 2 3 0 1 8 0		2 2	2 4	HB 3 3 0 1 0 1		3 8	2 1
HB 2 3 0 1 9 0		2 2	3	HB 3 3 0 1 1 0		3 6	8
HB 2 3 0 2 2 0		2 6	1 4	HB 3 3 0 1 2 0		3 8	3
HB 2 3 0 2 4 1		2 6	9	HB 3 3 0 1 3 0		3 6	6
HB 2 3 0 2 6 1		2 6	8	HB 3 3 0 1 7 0		3 6	5
HB 2 3 0 2 7 1		2 6	7	HB 3 3 0 1 9 0		3 6	1 3
HB 2 3 0 2 8 1		2 6	1 2	HB 3 3 0 2 0 0		3 6	1 2
HB 2 3 0 3 2 0		1 8	3	HB 3 3 0 2 1 1		3 6	1 0
HB 2 3 0 3 3 0 - 1		1 8	4	HB 3 3 0 2 2 1		3 6	9
HB 2 3 0 3 3 0 - 2		1 8	2	HH 3 3 0 6 7 0		3 8	2 5
HB 2 3 0 3 4 1		1 8	1 2	HH 3 3 0 7 7 0		3 8	1 0
HB 2 3 0 3 5 0		2 6	1 0	HH 3 3 0 8 1 0		3 8	2 6
HB 2 3 0 3 6 0		2 6	1 1	HH 4 8 1 9 7 0		4 2	8
HB 2 3 0 4 9 3		1 8	9	HH 4 8 1 9 7 0		4 4	7
HB 2 3 0 6 5 0		1 4	4 3	HH 4 8 1 9 8 0		4 2	6
HB 2 3 0 6 5 0		1 8	2 1	HH 4 8 1 9 8 0		4 4	9
HB 2 3 0 6 8 1		1 8	2 3	HH 4 8 2 1 1 0		4 2	1 8
HB 2 3 0 6 9 1		1 8	2 3	HH 4 8 2 1 1 0		4 4	1 8
HB 2 3 0 7 0 1		2 6	6	HM 1 2 0 0 0 0		4	5
HB 2 3 0 7 1 0		1 8	2 4	HM 1 2 0 0 1 0		4	6
HB 2 3 0 7 5 0		2 0	1 2	HM 1 2 0 0 1 0		6	6
HB 2 3 0 7 9 1		2 2	7	HM 1 2 0 0 2 0		4	7
HB 2 3 0 8 0 0		1 8	2 0	HM 1 2 0 0 2 0		6	7
HB 2 4 0 0 1 1		2 8	2	HM 1 2 0 1 0 0		6	5
HB 2 4 0 0 2 0		2 8	4	HM 1 3 0 0 0 0		8	1

From the library of: Diamond Needle Corp

I N D E X

LIST	No.	PAGE No.	ITEM	LIST	No.	PAGE No.	ITEM
HM 1 3 0 0 1 0		8	2	HM 1 6 0 0 0 0		4	1
HM 1 3 0 1 0 0		1 0	1	HM 1 6 0 0 1 0		4	2 5
HM 1 3 0 1 1 0		1 0	2	HM 1 6 0 0 1 0		6	2 5
HM 1 3 0 1 2 0		1 0	3	HM 1 6 0 0 2 0		4	2 0
HM 1 4 0 0 0 0		4	1 2	HM 1 6 0 0 2 0		6	2 0
HM 1 4 0 0 0 0		6	1 2	HM 1 6 0 1 0 0		6	1
HM 1 4 0 0 1 0		4	1 3	HM 2 7 0 0 0 0		1 4	3 0
HM 1 4 0 0 1 0		6	1 3	HM 2 7 0 0 1 0		1 6	6
HM 1 4 0 0 2 0		4	1 4	HM 3 1 0 0 0 0		4 0	1
HM 1 4 0 0 2 0		6	1 4	HM 3 1 0 0 1 0		4 0	3
HM 1 4 0 0 3 0		4	1 5	HM 3 1 0 0 2 0		4 0	2
HM 1 4 0 0 3 0		6	1 5	HM 3 1 0 0 3 0		4 0	4
HM 1 4 0 0 4 0		4	2 2	HM 3 1 0 0 4 0		4 0	2 0
HM 1 4 0 0 4 0		6	2 2	HM 3 1 0 0 5 0		4 0	2 2
HM 1 4 0 0 5 0		4	2 3	HM 3 1 0 0 6 0		4 0	1 9
HM 1 4 0 0 5 0		6	2 3	HM 3 1 0 0 7 0		4 0	1 8
HM 1 4 0 0 6 0		4	1 9	HM 3 1 0 0 8 0		4 0	2 3
HM 1 4 0 0 6 0		6	1 9	HM 3 1 0 0 9 0		4 0	6
HM 1 4 0 0 8 0		4	1 6	HM 3 1 0 2 0 0		4 0	7
HM 1 4 0 0 8 0		6	1 6	HM 3 1 0 2 1 0		4 0	8
HM 1 4 0 0 9 0		4	1 8	HM 3 1 0 2 2 0		4 0	9
HM 1 4 0 0 9 0		6	1 8	HM 3 1 0 2 3 0		4 0	1 0
HM 1 4 0 1 0 0		4	2 4	HM 3 1 0 2 4 0		4 0	2 4
HM 1 4 0 1 0 0		6	2 4	HM 3 1 0 2 5 0		4 0	2 8
HM 1 4 0 1 2 0		4	8	HM 3 1 0 4 0 0		4 0	1 3
HM 1 4 0 1 2 0		6	8	HM 3 1 0 4 1 0		4 0	1 6
HM 1 4 0 1 7 0		4	1 7	HM 3 1 0 4 2 0		4 0	1 7
HM 1 4 0 1 7 0		6	1 7	HM 3 1 0 6 0 0		4 0	7
HM 1 4 0 2 3 0		8	1 0	HM 3 1 0 8 1 0		4 0	1 3
HM 1 4 0 2 3 0		1 0	1 1	HM 3 3 0 0 0 0		5 8	1 6
HM 1 4 0 2 4 0		8	6	HM 3 3 0 0 1 0		5 8	1 7
HM 1 4 0 2 4 0		1 0	1 0	HM 3 3 0 0 2 0		5 8	1 8
HM 1 4 0 2 5 0		8	1 1	HM 3 3 0 0 3 0		5 8	1 9
HM 1 4 0 2 5 0		1 0	1 3	HM 3 3 0 0 4 0		3 6	1
HM 1 4 0 2 7 0		4	1 0	HM 4 8 0 0 0 0		4 8	1 0
HM 1 4 0 2 7 0		6	1 0	HM 4 8 0 0 1 0		4 2	1 9
HM 1 4 0 2 8 0		4	1 1	HM 4 8 0 0 1 0		4 4	1 9
HM 1 4 0 2 8 0		6	1 1	HM 4 8 0 0 2 0		4 2	1 7
HM 1 4 0 3 1 0		4	3 9	HM 4 8 0 0 2 0		4 4	1 7
HM 1 4 0 3 1 0		6	3 9	HM 4 8 0 0 4 0		4 2	4
HM 1 4 0 3 2 0		4	4 0	HM 4 8 0 0 5 0		4 4	1 6
HM 1 4 0 3 2 0		6	4 0	HM 4 8 0 0 6 0		4 2	1 6
HM 1 4 0 3 3 0		6	4 1	HM 4 8 0 0 7 0		4 8	6
HM 1 4 0 3 4 0		8	3	HM 4 8 0 0 8 0		4 4	4
HM 1 4 0 3 4 0		1 0	9	HM 4 8 0 0 9 1		4 4	3

From the library of: Diamond Needle Corp

LIST No.	PAGE No.	ITEM	LIST No.	PAGE No.	ITEM
HM 4 8 0 1 0 1	4 2	3	HM 4 8 0 7 9 0	4 6	2 2
HM 4 8 0 1 1 0	4 8	1 6	HM 4 8 0 8 0 1	4 6	1 8
HM 4 8 0 1 2 0	4 8	1 1	HM 4 8 0 8 1 0	4 6	2 7
HM 4 8 0 1 3 0	4 2	1 2	HM 4 8 0 8 2 0	4 4	1 0
HM 4 8 0 1 3 0	4 8	2	HM 4 8 0 8 3 0	4 2	9
HM 4 8 0 1 4 0	4 2	1 3	HM 4 8 0 8 4 0	4 6	1 3
HM 4 8 0 1 6 1	4 2	2	HM 4 8 0 8 5 0	4 6	2 3
HM 4 8 0 1 6 1	4 4	2	HM 4 8 0 8 6 0	4 6	1 7
HM 4 8 0 1 7 1	4 4	1	HM 4 8 0 8 7 0	4 6	1 7
HM 4 8 0 1 8 1	4 2	1	HM 4 8 1 2 0 0	5 2	1
HM 4 8 0 1 9 0	4 4	1 1	HM 4 8 1 2 5 0	5 4	7
HM 4 8 0 2 0 0	4 4	2 3	HM 4 8 1 2 6 0	5 4	8
HM 4 8 0 2 2 0	4 4	1 2	HM 4 8 1 2 7 0	5 2	2
HM 4 8 0 2 3 0	5 0	2	HM 4 8 2 4 0 0	4 6	1 6
HM 4 8 0 2 4 0	5 0	4	HM 4 8 2 4 1 0	4 6	2
HM 4 8 0 2 5 0	5 0	1	HM 4 8 2 4 2 0	4 6	1
HM 4 8 0 2 6 0	5 0	3	HM 4 8 2 4 3 1	4 6	1 8
HM 4 8 0 2 7 0	5 0	5	HM 4 8 3 4 0 0	5 2	1
HM 4 8 0 2 8 0	4 8	9	HM 5 1 0 1 1 0 0 1	8	
HM 4 8 0 2 9 0	4 4	1 3	HM 5 1 0 1 2 0 0 1	1 0	
HM 4 8 0 3 0 0	4 4	2 4	HM 7 1 0 0 2 0	5 6	5
HM 4 8 0 3 3 0	4	9	HM 7 1 0 0 3 0	5 6	6
HM 4 8 0 3 3 0	6	9	HM 7 1 0 0 4 0	5 6	8
HM 4 8 0 3 4 0	4	4 1	HM 7 1 0 0 8 0	5 6	9
HM 4 8 0 3 4 0	6	4 2	HM 7 1 0 0 9 0	5 6	1 0
HM 4 8 0 6 0 0	4 6	7	HM 7 1 0 1 2 0	5 6	7
HM 4 8 0 6 1 0	4 6	3	HM 7 1 0 1 4 0	5 6	1 2
HM 4 8 0 6 2 0	4 6	4	HM 7 1 0 1 5 0	5 6	1 3
HM 4 8 0 6 3 0	4 6	1 4	HM 7 1 0 1 6 0	5 6	1 1
HM 4 8 0 6 4 0	4 6	9	HM 7 1 0 1 7 0	5 6	1 1
HM 4 8 0 6 4 0	4 8	1 4	HP 2 2 0 7 1 2	1 2	5
HM 4 8 0 6 5 0	4 8	1 5	HP 2 3 1 3 7 0	2 4	2 6
HM 4 8 0 6 6 0	4 6	8	HP 3 2 1 0 8 2	1 2	9
HM 4 8 0 6 7 0	4 8	1 3	HP 3 2 1 0 9 0	1 2	1 0
HM 4 8 0 6 8 0	4 6	1 2	HP 3 2 1 0 9 0	4 0	1 4
HM 4 8 0 6 9 0	4 6	2 6	HP 3 2 1 1 4 0	4 0	1 1
HM 4 8 0 7 0 0	4 6	6	HP 3 2 1 7 1 0	1 2	3 5
HM 4 8 0 7 1 0	4 6	5	HP 3 2 1 7 2 0	1 2	3 6
HM 4 8 0 7 2 0	4 6	2 5	HP 3 3 1 5 6 0	3 8	1 3
HM 4 8 0 7 3 0	4 6	2 0	HP 3 3 1 6 1 0	3 8	1 2
HM 4 8 0 7 4 0	4 6	2 1	HP 3 3 1 6 6 0	3 8	8
HM 4 8 0 7 5 0	4 8	3	HP 3 3 1 7 0 0	3 8	2 3
HM 4 8 0 7 6 0	4 6	1 6	HP 3 3 1 9 2 2	1 2	3 7
HM 4 8 0 7 7 0	4 6	2	HP 3 3 1 9 5 0	3 8	2 4
HM 4 8 0 7 8 0	4 6	1	HP 4 8 0 0 3 0	4 4	5

From the library of: Diamond Needle Corp

I N D E X

LIST	No.	PAGE No.	ITEM	LIST	No.	PAGE No.	ITEM
HP 4 8 2 9 4 0		4 2	1 5	HT 2 3 0 2 7 0		2 0	1 5
HP 4 8 2 9 4 0		4 4	2 2	HT 2 3 0 2 8 0		2 4	2 0
HP 4 8 2 9 9 0		4 2	5	HT 2 3 0 2 9 0		2 4	1 5
HP 4 8 2 9 9 0		4 4	8	HT 2 3 0 3 0 0		2 0	6
HS 2 1 0 0 1 1		1 2	8	HT 2 3 0 3 1 0		2 6	2
HS 2 1 0 0 2 0		1 2	1	HT 2 3 0 3 2 0		2 4	2
HS 2 1 0 0 3 0		1 2	1 9	HT 2 3 0 3 3 0		2 2	3 0
HS 2 1 0 0 4 1		1 2	7	HT 2 3 0 3 4 0		2 4	3
HS 2 1 0 0 5 0		1 4	1 3	HT 2 3 0 3 6 1		3 2	2 3
HS 2 1 0 0 6 0		1 4	3	HT 2 3 0 3 7 0		2 4	4
HS 2 1 0 0 7 0		1 4	1 0	HT 2 3 0 3 8 0		2 6	4
HS 2 1 0 0 8 0		1 4	9	HT 2 3 0 4 1 0		2 6	1 3
HS 2 1 0 0 9 0		1 4	2 8	HT 2 3 0 4 2 0		2 6	5
HS 2 1 0 1 0 0		1 4	1 8	HT 2 3 0 4 5 0		2 4	6
HS 2 1 0 1 1 0		1 4	3 3	HT 2 3 0 4 6 0		2 4	7
HS 2 1 0 1 2 0		1 4	3 2	HT 2 3 0 4 7 0		2 4	1 4
HS 2 1 0 1 4 2		1 4	1 1	HT 2 3 0 4 8 0		2 4	8
HS 2 7 0 0 1 1		1 6	1 1	HT 2 3 0 4 9 0		2 4	1
HS 2 7 0 0 2 0		1 6	1 4	HT 2 3 0 5 0 0		2 4	5
HS 2 7 0 0 3 0		1 6	2	HT 2 3 0 5 1 0		2 4	1 2
HS 2 7 0 0 6 0		1 6	1 6	HT 2 3 0 5 2 0		2 4	1 6
HS 4 6 0 0 3 0		5 4	3	HT 2 3 0 5 3 0		2 4	1 9
HS 4 6 0 0 4 0		5 4	5	HT 2 3 0 5 4 0		2 0	7
HS 4 6 0 0 5 0		5 4	4	HT 2 3 0 5 5 0		2 2	2 1
HS 4 6 0 2 0 0		5 4	2	HT 2 3 0 5 6 0		2 4	2 1
HS 4 6 0 2 1 0		5 4	6	HT 2 3 0 5 7 0		2 2	1 4
HT 2 3 0 0 1 0		1 8	1	HT 2 3 0 5 8 0		1 8	1 7
HT 2 3 0 0 2 0		2 0	3	HT 2 3 0 5 9 0		2 6	1 5
HT 2 3 0 0 3 0		2 0	8	HT 2 3 0 6 0 0		2 6	3
HT 2 3 0 0 4 1		2 2	2 9	HT 2 3 0 6 1 0		2 6	1
HT 2 3 0 0 6 1		2 2	1 7	HT 2 3 0 6 2 0		2 8	8
HT 2 3 0 0 7 0		2 0	9	HT 2 3 0 6 3 0		2 8	6
HT 2 3 0 0 8 0		2 0	1 1	HT 2 3 0 6 5 0		2 2	3 1
HT 2 3 0 1 1 0		2 2	3 2	HT 2 3 0 6 6 0		1 8	1 8
HT 2 3 0 1 2 0		2 2	1 0	HT 2 3 0 6 7 0		2 2	1 1
HT 2 3 0 1 3 0		2 2	2	HT 2 3 0 6 9 0		2 2	1 5
HT 2 3 0 1 4 1		2 2	8	HT 2 3 0 7 0 0		2 2	7
HT 2 3 0 1 5 1		2 2	2 8	HT 2 3 0 7 3 0		2 4	1 8
HT 2 3 0 1 7 0		2 0	1 0	HT 2 3 0 7 5 0		2 4	2 3
HT 2 3 0 1 8 0		2 2	2 2	HT 2 3 0 7 6 0		2 4	9
HT 2 3 0 1 9 0		2 2	6	HT 2 3 0 7 7 0		2 4	2 2
HT 2 3 0 2 0 0		2 4	1 3	HT 2 4 0 0 0 0		2 0	1
HT 2 3 0 2 1 0		1 8	2 2	HT 2 4 0 0 1 0		2 0	1 4
HT 2 3 0 2 2 0		2 8	7	HT 2 4 0 0 2 0		3 4	9
HT 2 3 0 2 6 1		2 2	3 4	HT 2 4 0 0 6 1		3 4	1 0

From the library of: Diamond Needle Corp

LIST	No.	PAGE No.	ITEM	LIST	No.	PAGE No.	ITEM
HT 2 4 0 1 2 0		3 4	1	KC 2 7 0 9 8 0		1 4	1 9
HT 2 4 0 1 3 0		3 4	2	KC 2 7 1 0 0 1		1 4	1 2
HT 2 4 0 1 4 0		3 4	3	KC 2 7 1 4 3 0		1 6	1 2
HT 2 4 0 1 5 0		3 4	4	KC 2 7 1 9 4 0		1 4	7
HT 2 4 0 1 6 0		3 4	5	KC 2 7 1 9 5 0		1 4	6
HT 2 4 0 1 7 0		3 4	6	KC 3 3 0 1 7 0		3 6	2
HT 2 4 0 1 8 0		3 4	7	KC 3 3 0 1 8 0		1 6	3
HT 2 4 0 2 1 1		3 4	1 5	KC 3 3 0 3 1 0 3 0 0		3 8	6
HT 2 4 0 2 2 0		3 4	1 6	KC 3 3 0 4 1 0		1 6	1 0
HT 2 4 0 2 2 0		3 4	2 2	KC 3 3 0 4 1 0		2 2	5
HT 2 4 0 2 3 0		3 4	1 7	KC 3 3 0 4 1 0		3 8	9
HT 2 4 0 2 4 0		3 4	1 9	KC 3 3 0 4 2 0		3 8	1 1
HT 2 4 0 3 2 0		3 4	1 4	KC 3 3 0 5 1 0		1 6	9
HT 2 4 0 3 3 1		3 4	1 8	KC 4 7 0 1 1 0		4 2	1 0
HT 2 4 0 3 9 0		3 4	1 1	KC 4 7 0 1 1 0		4 8	1
HT 2 4 0 4 3 0		3 4	2 3	KC 5 2 0 0 2 0		5 8	1 5
HT 2 4 0 4 4 0		3 4	2 5	KF 2 2 0 2 2 0		1 2	4
HT 2 4 0 4 6 0		3 4	2 1	KF 2 2 0 2 3 0		1 2	3
HT 2 4 0 4 7 0		3 4	2 6	KF 2 2 0 2 4 0		1 2	1 4
HT 2 7 0 0 0 1		3 2	2	KF 2 2 0 2 9 0		1 2	2
HT 2 7 0 0 1 0		3 2	2 2	KF 2 2 0 3 0 2		1 2	1 7
HT 2 7 0 0 2 1		3 2	5	KF 2 2 0 4 2 1		1 2	1 6
HT 2 7 0 0 3 0		3 2	1	KF 2 3 0 2 4 0		2 2	1 3
HT 2 7 0 0 4 0		3 2	4	KF 2 3 0 2 5 0		2 2	1 2
HT 2 7 0 0 6 2		3 2	2 5	KF 2 3 0 5 0 0		1 8	6
HT 2 7 0 0 7 0		3 0	3	KF 2 3 0 5 3 0		2 4	2 5
HT 2 7 0 0 8 0		3 2	1 1	KF 2 3 0 5 8 0		3 2	3
HT 2 7 0 0 9 0		3 2	1 4	KF 2 3 0 6 3 0		3 8	1 9
HT 2 7 0 1 0 0		3 2	1 0	KF 2 3 0 6 4 0		2 2	4
HT 2 7 0 1 1 0		3 0	1 4	KF 2 3 0 6 6 1		2 2	2 6
HT 2 7 0 1 2 0		3 2	9	KF 2 3 0 6 7 0		2 2	2 7
HT 2 7 0 3 5 0		3 2	2 4	KF 2 3 0 9 1 0		2 2	9
HT 2 7 0 6 4 0		3 2	2 0	KF 2 4 0 9 0 0		5 6	2
HT 3 3 0 0 0 0		3 8	4	KF 2 5 0 9 0 0		1 2	2 4
HT 7 1 0 0 0 0		5 6	3	KF 3 3 0 1 8 0		2 2	2 3
HT 7 9 0 0 0 0		4 0	2 7	KF 7 1 0 3 9 0		5 6	4
KB 2 7 0 0 1 0		1 4	2 5	KF 7 3 0 7 5 0		5 2	5
KC 2 2 0 6 4 2		1 2	1 3	KF 7 3 0 7 6 0		5 2	5
KC 2 2 0 6 4 2		1 4	2 3	KF 7 3 0 7 7 0		5 2	5
KC 2 5 0 4 8 2		1 2	1 8	KF 7 3 0 7 9 0		5 2	3
KC 2 7 0 2 7 1		3 2	6	KF 7 3 0 7 9 0		5 4	9
KC 2 7 0 2 9 2		3 2	7	KG 2 4 1 0 3 1		5 6	1
KC 2 7 0 9 5 0		1 4	2 0	KL 2 2 0 1 2 0		1 2	2 8
KC 2 7 0 9 6 0		1 4	1 4	KL 2 2 0 1 4 0		1 2	6
KC 2 7 0 9 7 0		1 4	2 2	KL 2 3 0 1 8 0		2 2	2 5

From the library of: Diamond Needle Corp

I N D E X

LIST	No.	PAGE No.	ITEM	LIST	No.	PAGE No.	ITEM
KL 2 7 0 0 0 0		3 2	8				
KL 2 7 0 0 4 0		3 2	1 3				
KL 2 7 0 0 6 0		3 2	1 5				
KL 2 7 0 0 7 0		3 2	1 7				
KL 2 7 0 0 8 1		3 0	2				
KL 2 7 0 0 9 1		3 0	1 1				
KL 2 7 0 1 0 1		3 0	5				
KL 2 7 0 1 0 1		3 2	1 8				
KL 2 7 0 1 1 0		3 0	8				
KL 2 7 0 1 2 0		3 0	7				
KL 2 7 0 1 3 0		3 0	6				
KL 2 7 0 2 6 0		3 0	9				
KL 2 7 0 3 6 0		1 4	8				
KL 2 7 0 3 8 0		1 4	1 7				
KL 2 7 0 3 9 0		1 4	3 1				
KL 2 7 0 4 4 0		3 0	1 3				
KL 2 7 0 4 5 0		3 0	1 2				
KL 2 7 0 5 2 0		3 2	1 6				
KN 2 7 1 1 9 0		1 4	1 6				
KN 2 7 1 2 2 0		1 4	1 5				
KN 2 7 1 5 6 0		1 4	2 9				
KN 2 7 1 6 5 1		1 4	4				
KN 2 7 1 6 6 1		1 4	5				
KN 2 7 1 7 5 0		1 6	7				
KN 2 7 1 7 8 1		1 6	5				
KN 2 7 2 3 5 0		1 6	1 7				
KN 2 7 2 4 0 0		3 0	4				
KN 2 7 2 4 0 0		3 2	2 1				
KN 5 1 1 0 2 0		1 2	3 8				
KN 5 1 1 1 3 0		5 8	2 9				
KU 4 6 0 2 7 0		4 4	2 6				
MA 2 5 0 1 3 1		1 2	1 2				
MA 4 7 0 1 7 0		4 2	1 1				
MA 4 7 0 1 7 0		4 8	4				
MT 7 9 0 3 1 0		4	4				
MT 7 9 0 3 1 0		6	4				
ZHS 2 7 0 0 1 0 A		1 6	1 5				

From the library of: Diamond Needle Corp